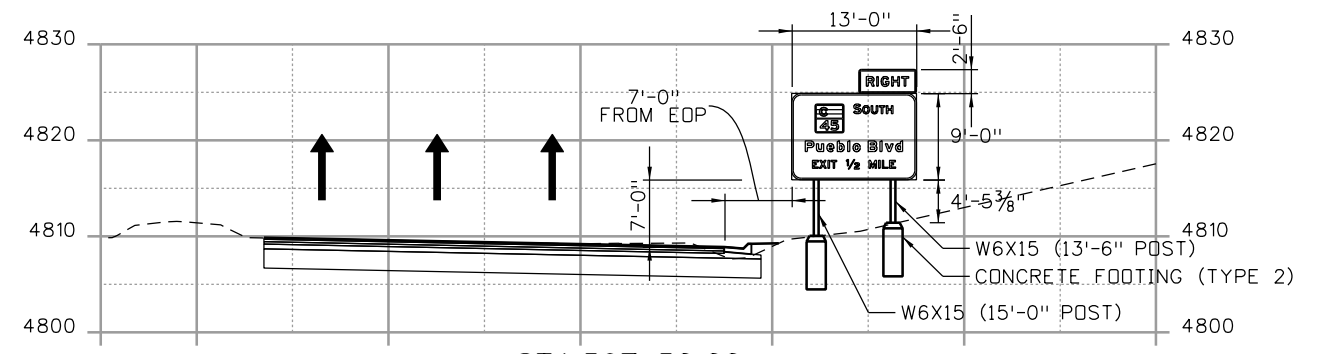
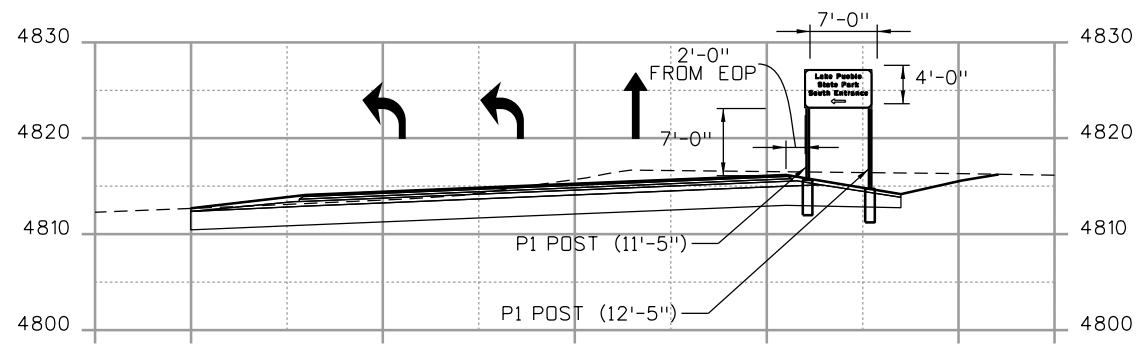


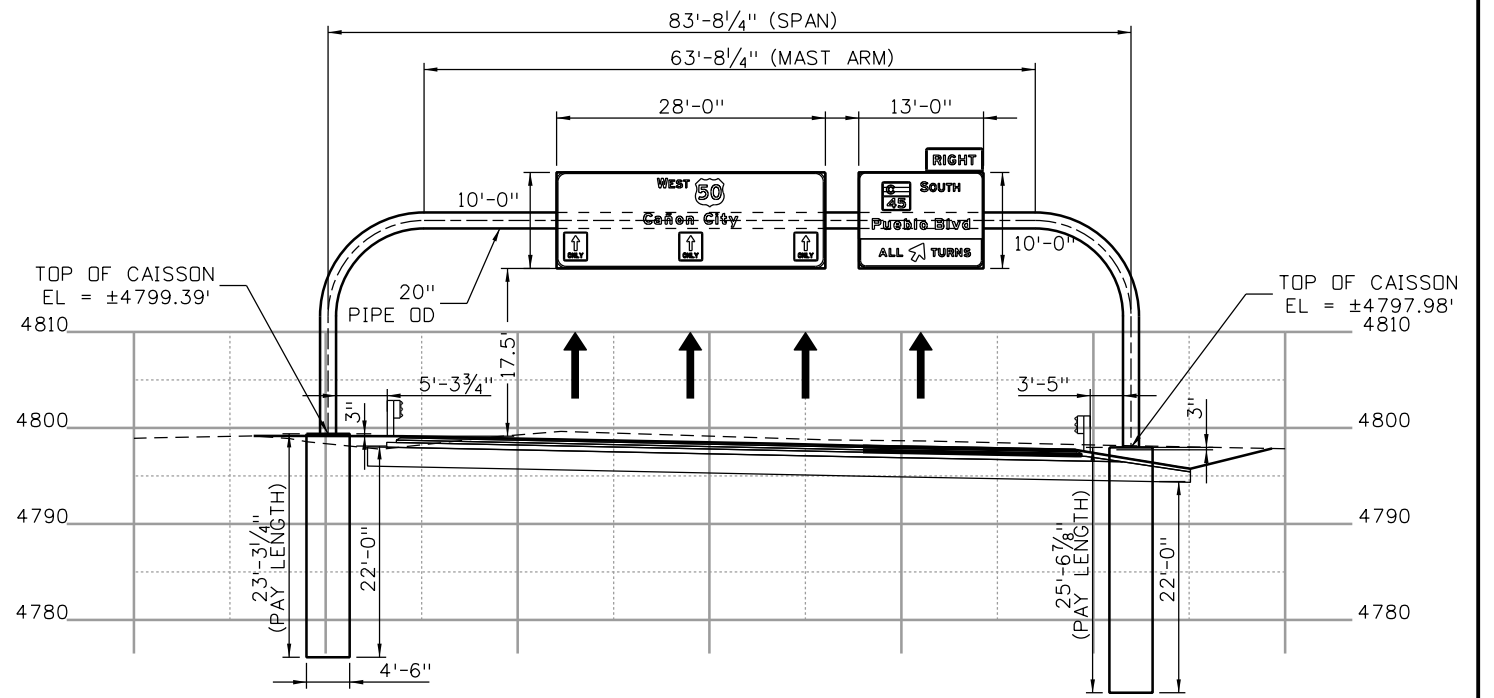
STA.584+00
SP 9 = 7'-0" X 4'-0"



STA.597+50.00
SP-3 = 6'-0" X 2'-6"
SP-5 = 13'-0" X 9'-0"



STA. STA.449+45.00
SP 1 = 7'-0" X 4'-0"



STA. 572+77.54
SP 2 = 13'-0" X 10'-0"
SP 3 = 6'-0" X 2'-6"
SP 4 = 28'-0" X 10'-0"

Print Date: 3/7/2017
File Name: 20344-ClassIII_01.dgn
Horiz. Scale: 1:20 Vert. Scale:
JFS J. F. SATO AND ASSOCIATES
5898 South Rapp Street
Littleton, Colorado 80120

Sheet Revisions		
Date:	Comments	Init.

Colorado Department of Transportation
CDOT
902 Erie Avenue
Pueblo, CO 81001
Phone: 719-562-5509 FAX: 719-546-5702
Region 2 DTD

As Constructed
No Revisions:
Revised:
Void:

US 50 WEST WESTBOUND
CLASS III CROSS SECTIONS
US 50
Designer: AB Structure Numbers
Detailer: AB
Subset: - Subset Sheets: 01 of 09

Project No./Code
STA 0503-085
Sheet Number 199

erfman 7:52:24 PM c:\projectwise\pwworking\df75565\20344-ClassIII_01.dgn