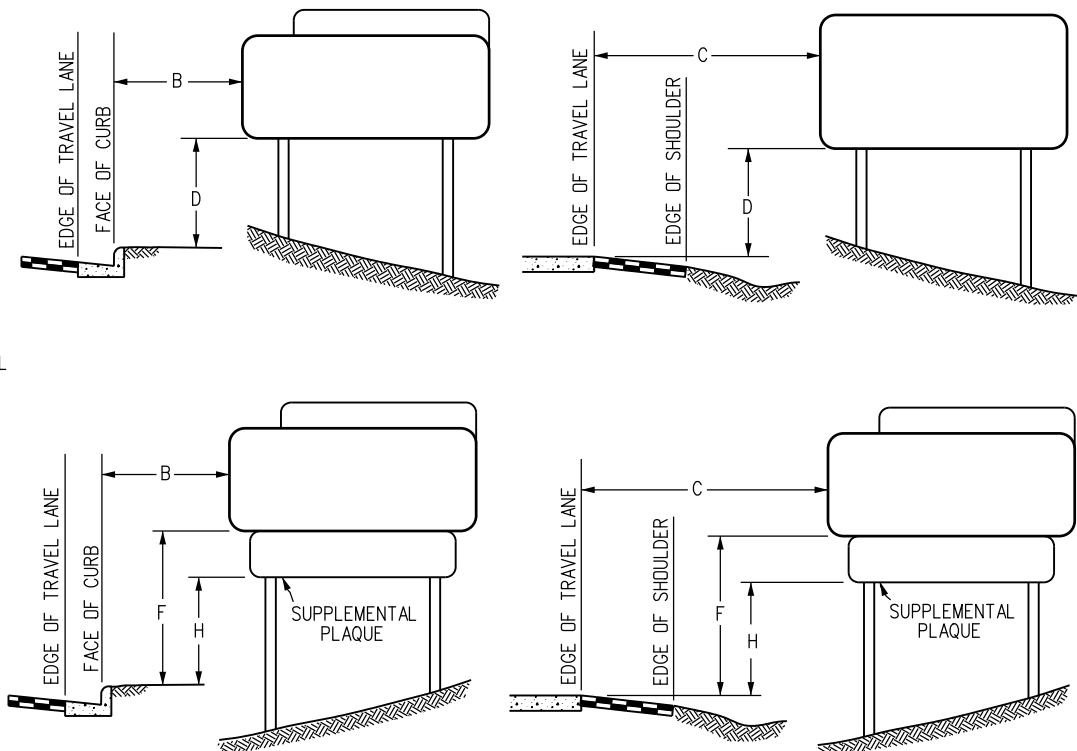
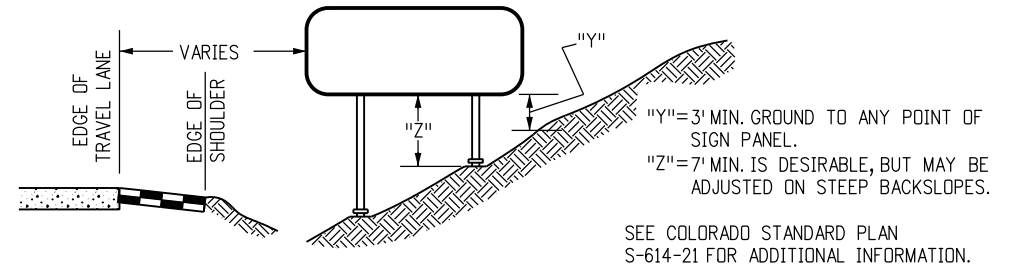


WARNING SIGN PLACEMENT



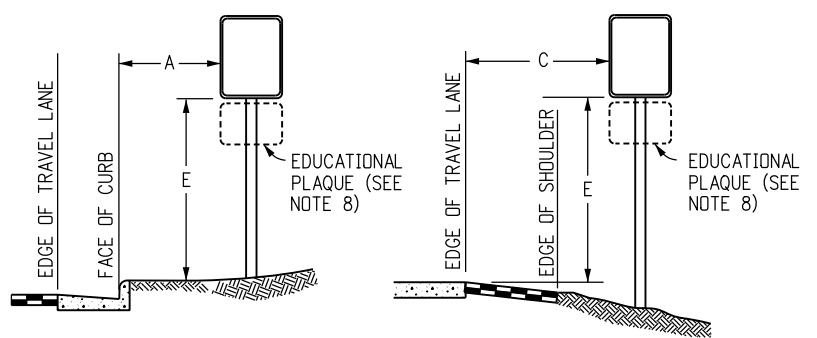
CLASS III SIGN PLACEMENT



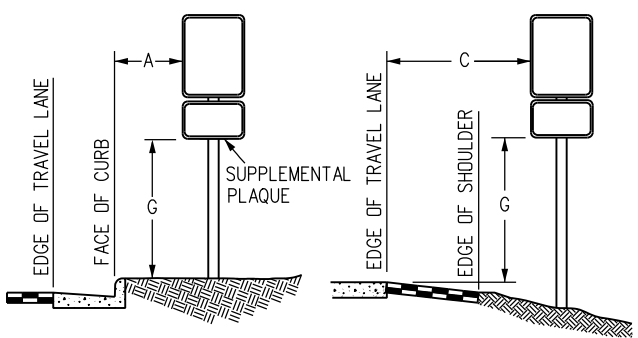
CLASS III SIGNS, PANEL GROUND CLEARANCE

GENERAL NOTES

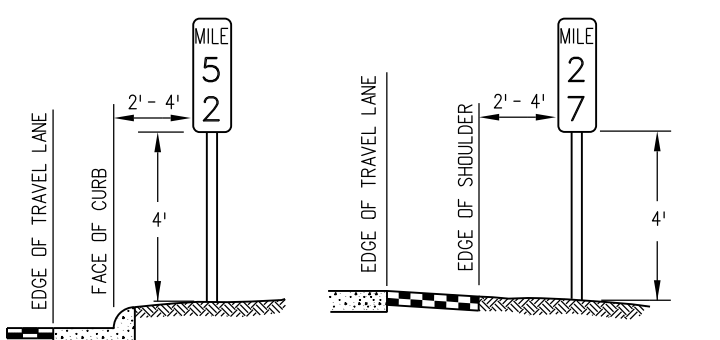
1. THE ENGINEER WILL ESTABLISH GRADES AND LOCATIONS FOR ALL SIGN POSTS IN ACCORDANCE WITH DETAILS SHOWN ON THE PLANS.
2. SPECIAL CARE SHALL BE TAKEN IN SIGN LOCATION TO ENSURE AN UNOBSTRUCTED VIEW OF EACH SIGN.
3. MINIMUM POST EMBEDMENT SHALL BE 3 FT. FOR U-2 POSTS AND 4 IN. X 4 IN. TIMBER POSTS, AND 5 FT. FOR 6 IN. X 6 IN. TIMBER POSTS. FOR FOOTING DEPTH SEE THE APPLICABLE STANDARD.
4. IF A SHOULDER IS WIDER THAN 6 FEET, THE MINIMUM LATERAL OFFSET DISTANCE SHOULD BE 6 FEET FROM EDGE OF SHOULDER, EXCEPT FOR MILE MARKER SIGNS. SEE FIGURE 2A-2(B) OF THE 2009 MUTCD.
5. NORMAL LATERAL PLACEMENT IS MEASURED FROM THE EDGE OF TRAVEL LANE.
6. IN URBAN AREAS, A LATERAL CLEARANCE OF 1 FT. FROM THE CURB FACE IS PERMISSIBLE WHERE SIDEWALK WIDTH IS LIMITED OR WHERE EXISTING POLES ARE CLOSE TO THE CURB.
7. TYPICAL POST MOUNTING HEIGHTS FROM GROUND TO BOTTOM OF SIGN PANEL ARE 7, OR 8 FEET. OTHER HEIGHTS MAY BE REQUIRED WHEN SIGNS ARE MOUNTED ON STEEPER FILL OR CUT SLOPES.
8. "EDUCATIONAL PLAQUES" FOR SYMBOL SIGNS WILL NOT BE CONSIDERED WHEN DETERMINING VERTICAL PLACEMENT. FOR INFORMATION OF EDUCATIONAL PLAQUE, SEE PAGE 3 OF THE 2012 CDOT GUIDE SIGNING POLICIES & PROCEDURES, AND SECTION 2M.06 OF THE 2009 MUTCD.
9. WHEN LATERAL PLACEMENT IS 30 FT. OR MORE FOR SIGNS WITHOUT A SUPPLEMENTAL PLAQUE, VERTICAL PLACEMENT D MAY BE REDUCED TO 5 FT. WHEN LATERAL PLACEMENT IS 30 FT. OR MORE, FOR SIGNS WITH A SUPPLEMENTAL PANEL, VERTICAL PLACEMENT E DOES NOT APPLY - USE ONLY VERTICAL PLACEMENT H.
10. NORMAL ANGULAR PLACEMENT IS 0 DEG. SIGNS CLOSER THAN 30 FT. SHOULD BE TURNED SLIGHTLY AWAY TO MINIMIZE SPECULAR REFLECTION. SIGNS PLACED 30 FT. OR MORE SHOULD GENERALLY BE TURNED TOWARD THE ROAD.
11. THE EXIT PANEL IS MOUNTED ON THE RIGHT HAND SIDE FOR RIGHT HAND EXITS AND THE LEFT SIDE FOR LEFT HAND EXITS.
12. POST SHALL BE INSTALLED PLUMB, VERTICAL DEVIATION SHALL NOT EXCEED 1/2 IN. IN 10 FT.
13. ON ALL TWO-LANE, UNDIVIDED HIGHWAYS, THE MILE MARKER AND POST SHALL BE INSTALLED ON THE RIGHT SHOULDER IN THE ASCENDING DIRECTION, WITH THE MILE MARKER PANELS DISPLAYED ON THE FRONT AND BACK SIDE OF THE POST.
14. ON ALL UNDIVIDED MULTI-LANE AND DIVIDED HIGHWAYS, AND INTERSTATES, THE MILE MARKER AND POST SHALL BE INSTALLED ON THE OUTSIDE SHOULDER (OR SIDEWALK IF APPLICABLE) IN BOTH DIRECTIONS OF TRAVEL.
15. VERTICAL SPACING BETWEEN SIGN PANELS SHALL BE 1 TO 1 1/2 IN., TYPICAL.



REGULATORY, RECREATIONAL AND CULTURAL INFORMATION SIGN PLACEMENT



ROUTE MARKER ASSEMBLY PLACEMENT



NOTE: MILE MARKERS SHALL BE LOCATED IN LINE WITH DELINEATOR POSTS.

MILE MARKER PLACEMENT

PLACEMENT TABLES

KEY	LATERAL PLACEMENT		VERTICAL PLACEMENT						
	ALL CLASSES OF STREETS AND HIGHWAYS		FREEWAYS AND EXPRESSWAYS		CONVENTIONAL STREETS AND HIGHWAYS				
	MINIMUM	NORMAL	MIN.	MAX.	URBAN		RURAL		
						MIN.	MAX.	MIN.	MAX.
A	2'-0"	15'-0" PLUS CURB	D	7'-0" OR NOTE NO. 9	12'-0"	7'-0"	8'-0"	5'-0"	8'-0"
B	2'-0"	30'-0" OR MORE INCLUDES CURB	E	7'-0"	8'-0"	7'-0"	8'-0"	5'-0"	8'-0"
C	2'-0"	6'-0" PLUS EDGE OF 6'+ WIDE SHOULDER. IF NONE, 15'-0" FROM EDGE OF TRAVEL LANE.	F	8'-0" OR NOTE NO. 9	12'-0"	8'-0"	9'-0"	5'-0"	9'-0"
			G	6'-0"	7'-0"	6'-0"	7'-0"	4'-0"	7'-0"
			H	5'-0"	10'-0"	6'-0"	7'-0"	4'-0"	7'-0"

Computer File Information

Creation Date: 07/04/12	Initials: KCM
Last Modification Date: 12/12/14	Initials: KEN
Full Path: www.coloradodot.info/library/traffic/traffic-s-standard-plans	
Drawing File Name: S-614-01_1of2.dgn	
CAD Ver.: MicroStation V8 Scale: Not to Scale Units: English	

Sheet Revisions

Date:	Comments
07/24/12	ADDED NOTES 14 AND 15 ON SHEET 1
03/07/14	SHEET 1 - UPDATED DIMENSIONS TO MUTCD STDS
12/12/14	SHEET 1 - CORRECTED BOTTOM PANELS TO PLACQUES

Colorado Department of Transportation
 4201 East Arkansas Avenue
 Denver, Colorado 80222
 Phone: (303) 757-9543
 Fax: (303) 757-9219

Safety & Traffic Engineering Branch **KCM/KEN**

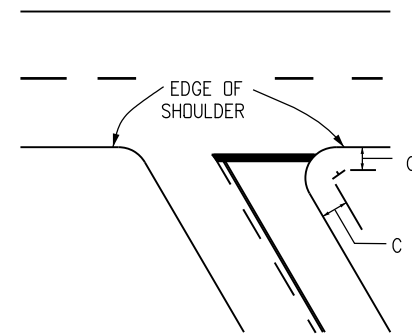
GROUND SIGN PLACEMENT

Issued By: Safety & Traffic Engineering Branch July 4, 2012

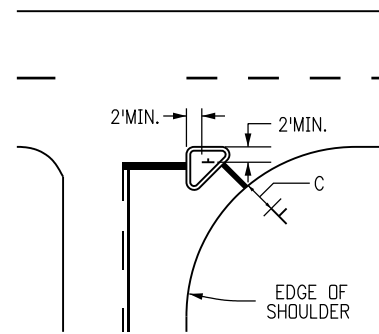
STANDARD PLAN NO.

S-614-1

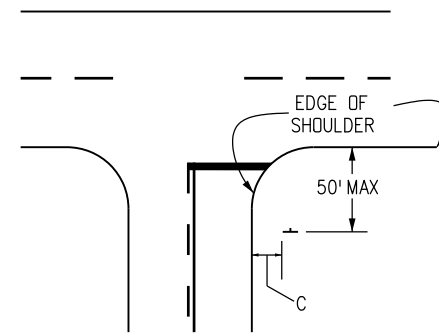
Sheet No. 1 of 2



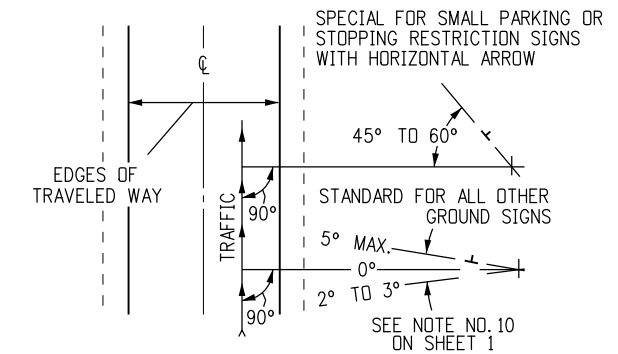
ACUTE ANGLE INTERSECTION



CHANNELIZED INTERSECTION

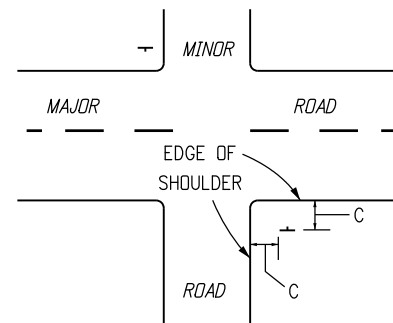


WIDE THROAT INTERSECTION

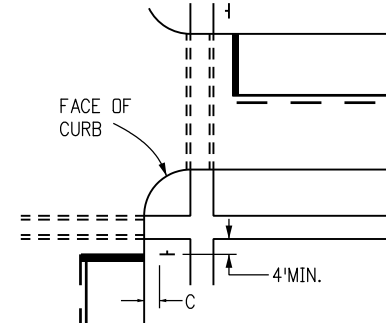


NORMAL ANGULAR PLACEMENT IS 0°. SIGNS CLOSER THAN 30 FT. SHOULD BE TURNED SLIGHTLY AWAY TO MINIMIZE SPECULAR REFLECTION. SIGNS PLACED 30' OR MORE SHOULD GENERALLY BE TURNED TOWARD THE ROAD.

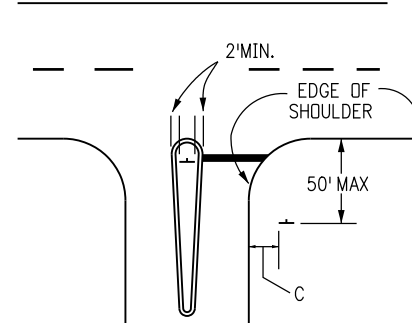
ANGULAR PLACEMENT



MINOR CROSSROAD



URBAN INTERSECTION



DIVISIONAL ISLAND

TYPICAL LOCATIONS-STOP SIGNS AND YIELD SIGNS

PLACEMENT TABLES

LATERAL PLACEMENT			VERTICAL PLACEMENT (MINIMUM) (9' MAXIMUM)			
KEY	ALL CLASSES OF STREETS AND HIGHWAYS		KEY	FREEWAYS AND EXPRESSWAYS	CONVENTIONAL STREETS AND HIGHWAYS	
	MINIMUM	NORMAL			URBAN	RURAL
*A	2'-0" & NOTE NO.4	15'-0" PLUS CURB OR SHOULDER WIDTH	D	7'-0" OR NOTE NO. 10	7'-0"	5'-0"
*B	2'-0" & NOTE NO.4	30'-0" OR MORE INCLUDES CURB OR SHOULDER	E	6'-0"	7'-0"	5'-0"
*C	2'-0" & NOTE NO.4	6'-0" PLUS CURB OR SHOULDER WIDTH OR IF NONE 15'-0"	F	8'-0" OR NOTE NO. 10	7'-0"	5'-0"
			G	6'-0"	6'-0"	4'-0"
			H	5'-0"	6'-0"	4'-0"

* SEE NOTE NO. 6 ON SHEET 1

Computer File Information	
Creation Date: 07/04/12	Initials: KCM
Last Modification Date:	Initials:
Full Path: www.coloradodot.info/library/traffic/traffic-s-standard-plans	
Drawing File Name: S-614-01_2of2.dgn	
CAD Ver.: MicroStation V8 Scale: Not to Scale Units: English	

Sheet Revisions	
Date:	Comments
(R-X)	
(R-X)	
(R-X)	
(R-X)	

Colorado Department of Transportation
 4201 East Arkansas Avenue
 Denver, Colorado 80222
 Phone: (303) 757-9543
 Fax: (303) 757-9219
 Safety & Traffic Engineering Branch KCM/KEN

GROUND SIGN PLACEMENT
 Issued By: Safety & Traffic Engineering Branch July 4, 2012

STANDARD PLAN NO.
 S-614-1
 Sheet No. 2 of 2