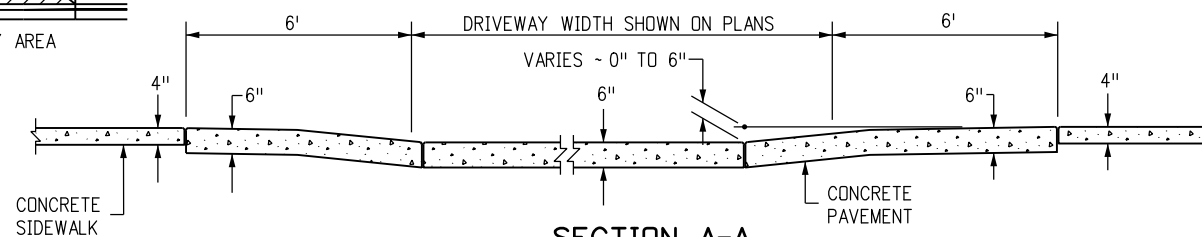
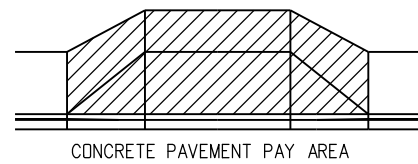
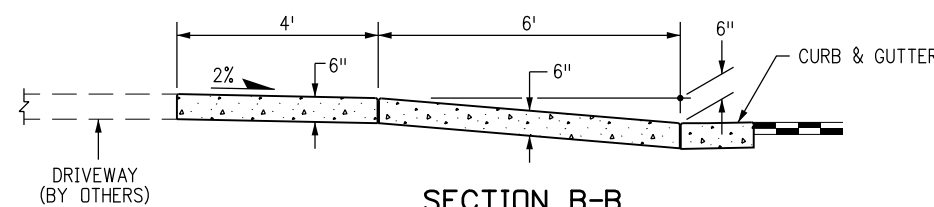


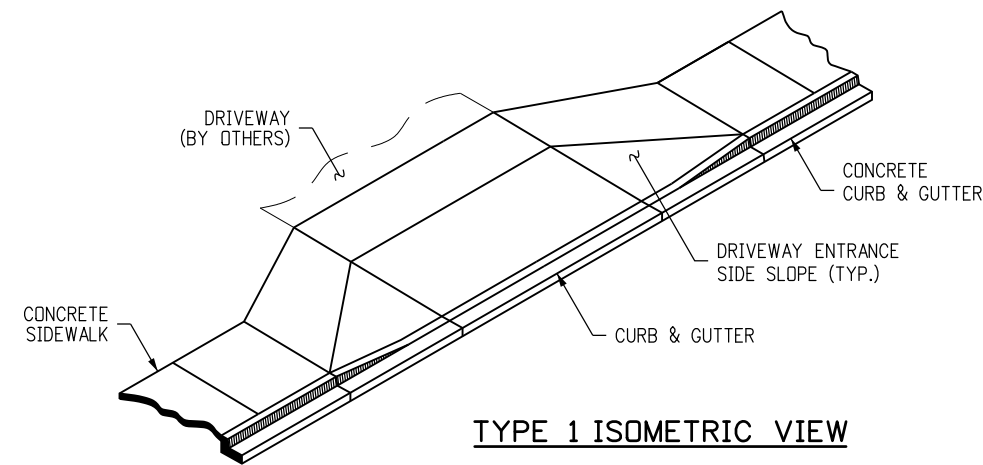
CONCRETE DRIVEWAY ENTRANCE TYPE 1



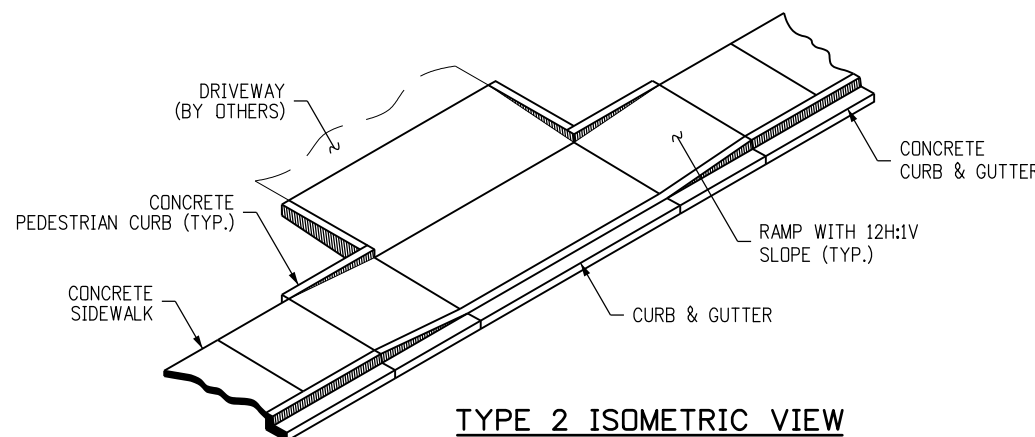
SECTION A-A



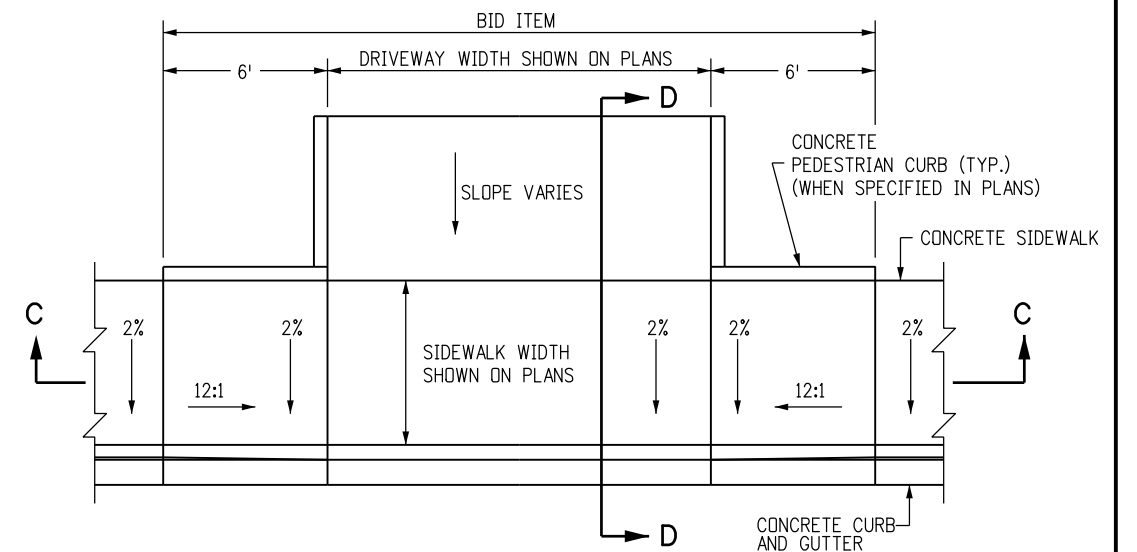
SECTION B-B



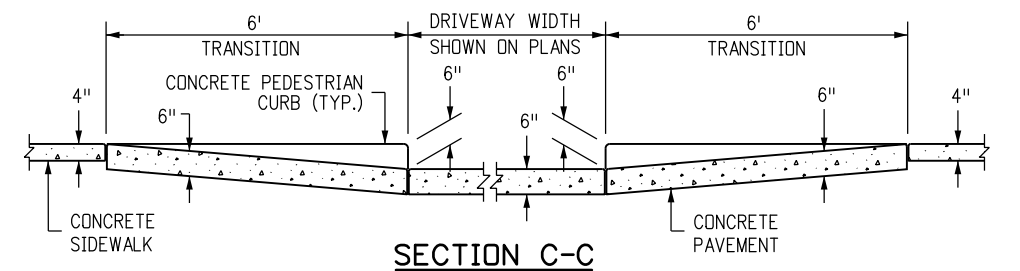
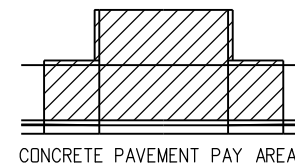
TYPE 1 ISOMETRIC VIEW



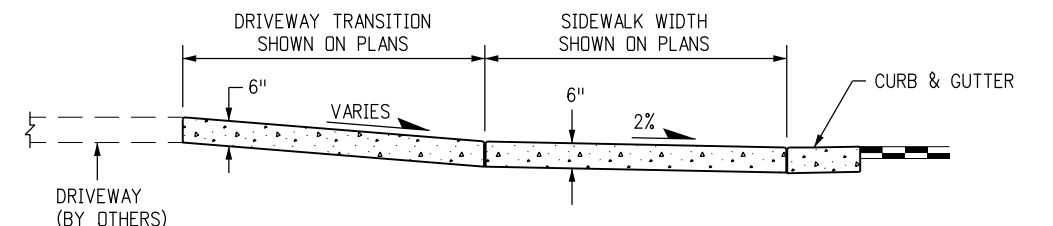
TYPE 2 ISOMETRIC VIEW



CONCRETE DRIVEWAY ENTRANCE TYPE 2



SECTION C-C



SECTION D-D

NOTES

1. DRAINAGE STRUCTURES, TRAFFIC SIGNAL EQUIPMENT, JUNCTION BOXES, AND OTHER OBSTRUCTIONS SHOULD NOT BE PLACED IN FRONT OF THE DRIVEWAY RAMP ACCESS AREAS.
2. FOR THE CURB AND GUTTER SHOWN, SEE PLANS FOR CURB TYPE.
3. RAMP SLOPES SHALL BE 12:1 OR FLATTER.
4. CONSTRUCTION OF THE CONCRETE PEDESTRIAN CURB SHALL BE INCLUDED IN THE BID PRICE OF THE CONCRETE PAVEMENT.

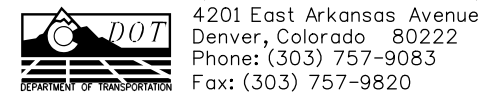
Computer File Information

Creation Date: 07/04/12	Initials: DD
Last Modification Date: 07/04/12	Initials: LTA
Full Path: www.coloradodot.info/business/designsupport	(R-X)
Drawing File Name: 609010304.dgn	(R-X)
CAD Ver.: MicroStation V8	(R-X)
Scale: Not to Scale	
Units: English	

Sheet Revisions

Date:	Comments

Colorado Department of Transportation



Project Development Branch DD/LTA

CURB, GUTTERS, AND SIDEWALKS

Issued By: Project Development Branch on July 4, 2012

STANDARD PLAN NO.

M-609-1

Sheet No. 3 of 4