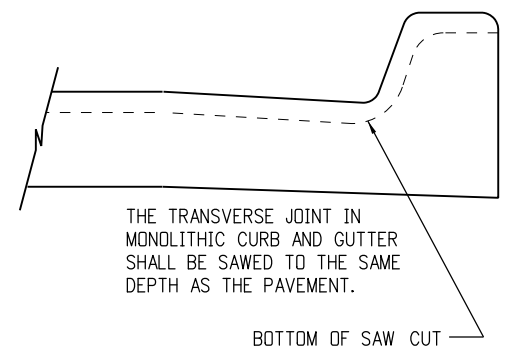


**BRIDGE APPROACH**



**NOTE**

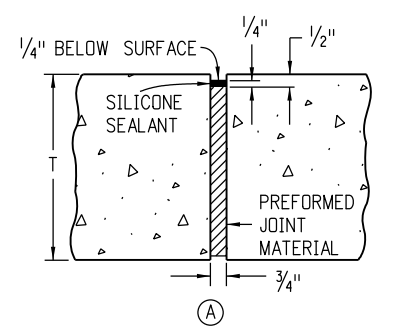
PAVEMENT THICKNESS (T), SHALL BE AS SHOWN ON THE PLANS.

PAVEMENT THICKNESS (T)	DOWEL BAR DIAMETER
T < 8 IN.	1 IN.
8 IN. ≥ T ≤ 10 IN.	1.25 IN.
10 IN. > T ≤ 15 IN.	1.50 IN.

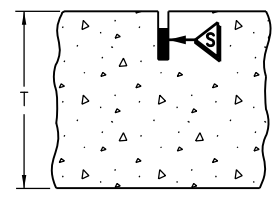
**REINFORCING SIZE TABLE**

TIE BAR SIZE IS NO. 5 WHEN PAVEMENT IS PLACED ON UNBOUND BASES.

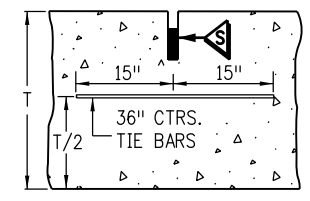
TIE BAR IS NO. 6 WHEN PAVEMENT IS PLACED ON LIME TREATED SOIL, ASPHALT OR CEMENT TREATED, MILLED ASPHALT, OR RECYCLED ASPHALT BASES.



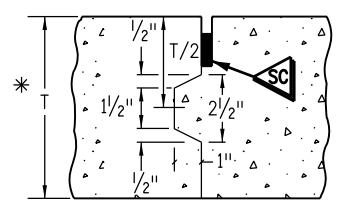
**EXPANSION JOINT**



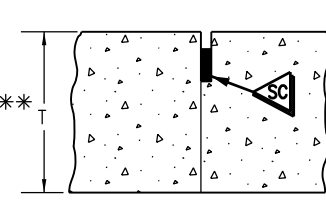
**TRANSVERSE CONTRACTION JOINT**  
(TRANSVERSE WEAKENED PLANE JOINT)



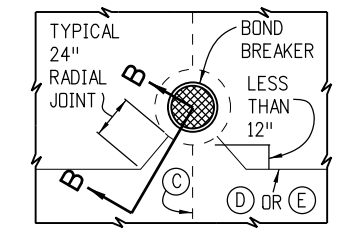
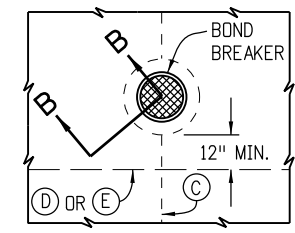
**LONGITUDINAL CONTRACTION JOINT**  
(LONGITUDINAL WEAKENED PLANE JOINT)



**LONGITUDINAL CONSTRUCTION JOINT**  
\* USE ONLY IF T ≥ 8 IN.  
FORM ONLY FEMALE KEYWAY

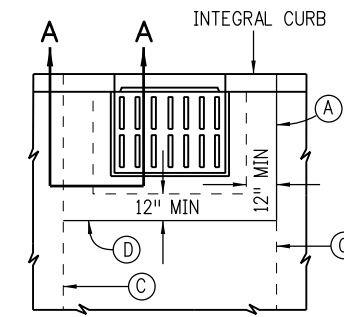


**LONGITUDINAL CONSTRUCTION JOINT**  
\*\* USE ONLY IF T < 8 IN.

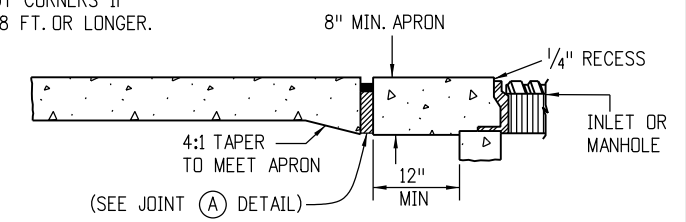


**INLET OR MANHOLE CAST IN PAVEMENT**

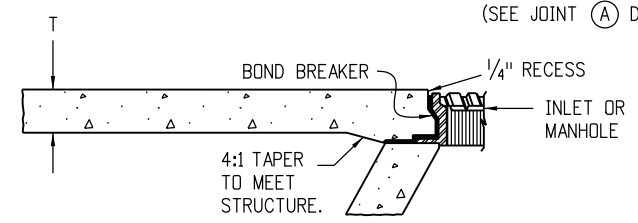
INSTALL TRANSVERSE JOINT AT BOTH BOXOUT CORNERS IF BOXOUT IS 8 FT. OR LONGER.



**CURB INLET BOXOUT**

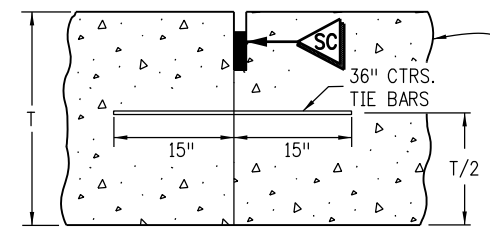


**SECTION A-A**

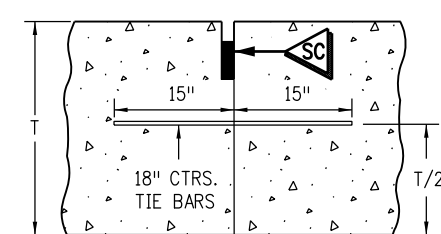


**SECTION B-B**

BOND BREAKER SHALL BE COMPOSED OF PLASTIC SHEET, BUILDING PAPER OR OTHER APPROVED MATERIAL THAT PREVENTS BONDING.

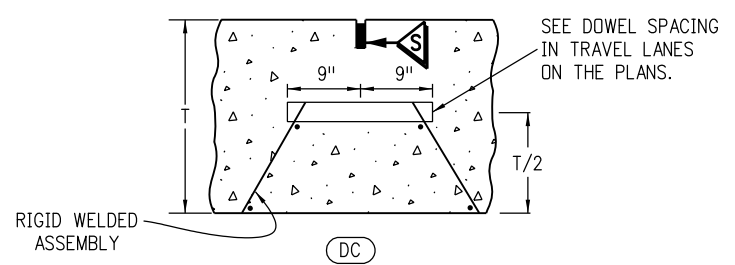


**LONGITUDINAL CONSTRUCTION JOINT**

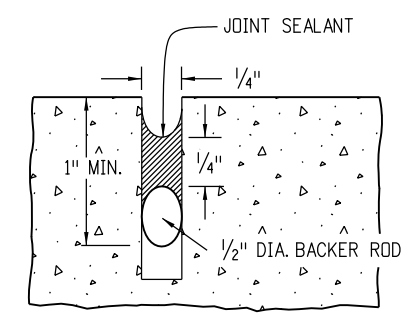


**TRANSVERSE CONSTRUCTION JOINT**

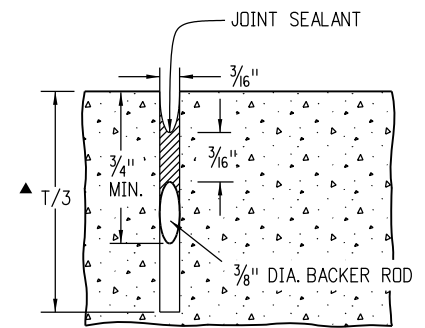
A KEYWAY IS ALLOWED TO FACILITATE USE OF BENT TIE BARS OR APPROVED TWO PIECE CONNECTORS



**DOWELED TRANSVERSE CONTRACTION JOINT**



**SEAL AT CONSTRUCTION JOINT**



**SAWED JOINT**  
▲ SHALL BE 0.4T FOR LONGITUDINAL JOINTS ALONG SLABS 14 FT. IN WIDTH.

**Computer File Information**

Creation Date: 07/04/12	Initials: DD
Last Modification Date: 07/24/12	Initials: LTA
Full Path: www.coloradodot.info/business/designsupport	
Drawing File Name: 412010505.dgn	
CAD Ver.: MicroStation V8	Scale: Not to Scale Units: English

**Sheet Revisions**

Date:	Comments
07/24/12	Changed Tie Bar spacing from 30" to 36".
	Modified the Reinforcing Size Table.

**Colorado Department of Transportation**  
4201 East Arkansas Avenue  
Denver, Colorado 80222  
Phone: (303) 757-9083  
Fax: (303) 757-9820

**Project Development Branch DD/LTA**

**CONCRETE PAVEMENT JOINTS**

Issued By: Project Development Branch on July 4, 2012

**STANDARD PLAN NO.**

M-412-1

Sheet No. 5 of 5