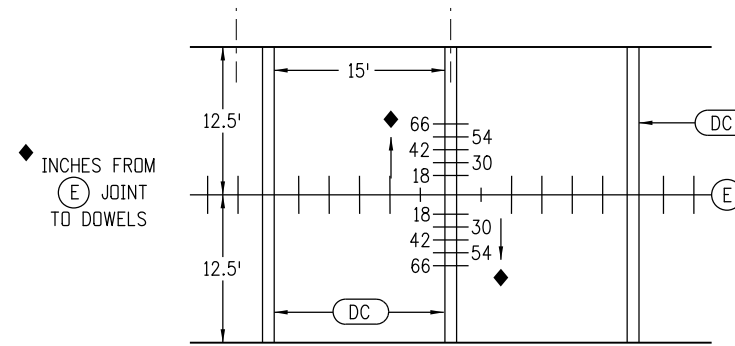


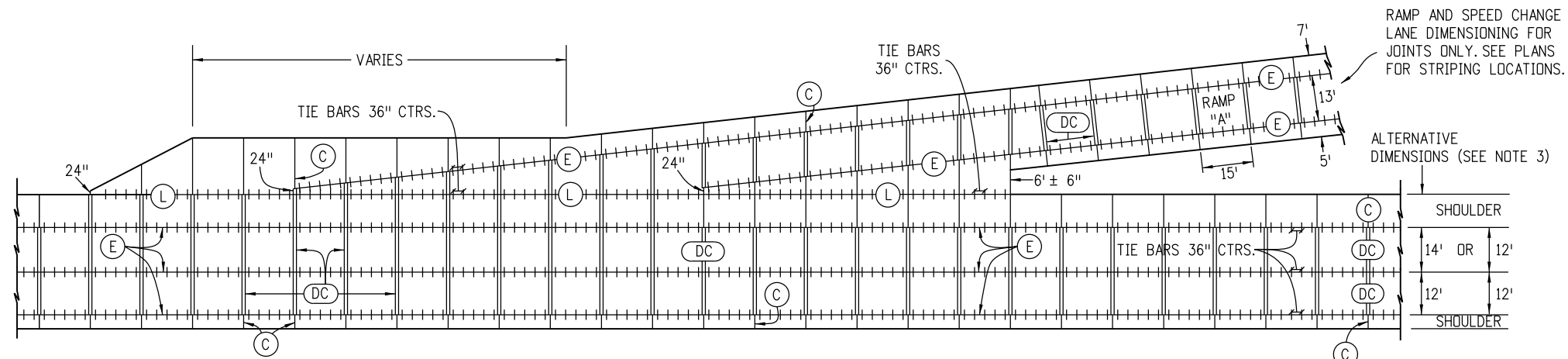
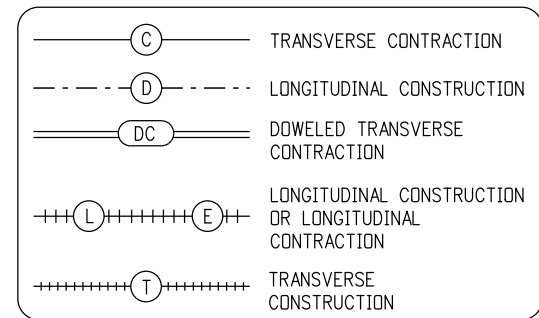
**RAMP "A" DOWEL BAR DETAIL FOR DC JOINT WITH A 13 FT. LANE**



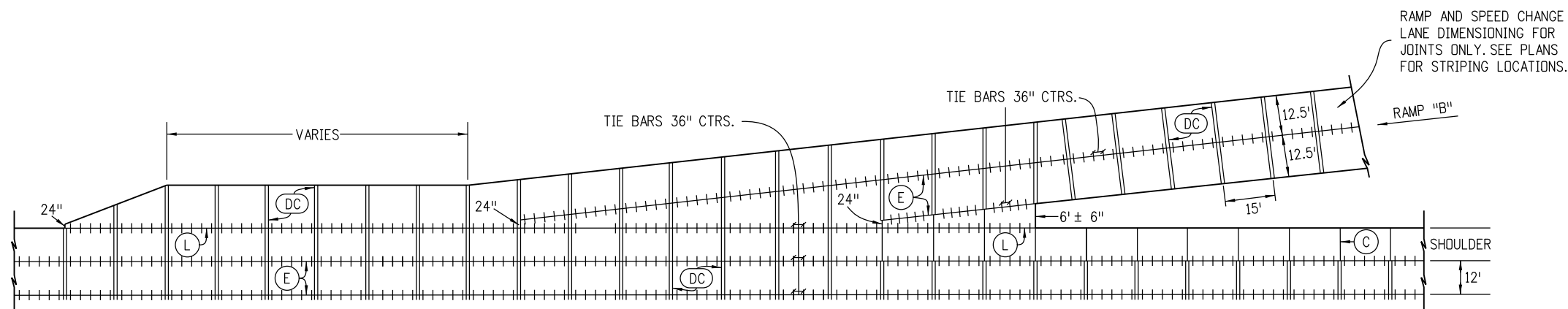
**RAMP "B" DOWEL BAR DETAIL FOR DC JOINT WITH CENTER LONGITUDINAL SPLIT LANE**

**JOINT LEGEND**

(SEE SHEET 5 FOR JOINT DETAILS)



**MULTI-LANE WITH ACCELERATION AND DECELERATION LANES AND CONCRETE SHOULDERS**



**OPTIONAL LONGITUDINAL JOINT IN CENTER FOR SINGLE LANE ACCELERATION AND DECELERATION LANE**

**Computer File Information**

Creation Date: 07/04/12	Initials: DD
Last Modification Date: 07/24/12	Initials: LTA
Full Path: www.coloradodot.info/business/designsupport	
Drawing File Name: 412010205.dgn	
CAD Ver.: MicroStation V8	Scale: Not to Scale Units: English

**Sheet Revisions**

Date:	Comments
07/24/12	Changed Tie Bar spacing from 30" to 36".

**Colorado Department of Transportation**

4201 East Arkansas Avenue  
Denver, Colorado 80222  
Phone: (303) 757-9083  
Fax: (303) 757-9820

Project Development Branch DD/LTA

**CONCRETE PAVEMENT JOINTS**

Issued By: Project Development Branch on July 4, 2012

**STANDARD PLAN NO.**

M-412-1

Sheet No. 2 of 5