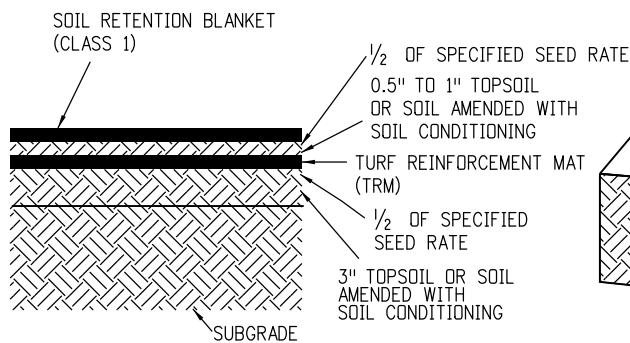


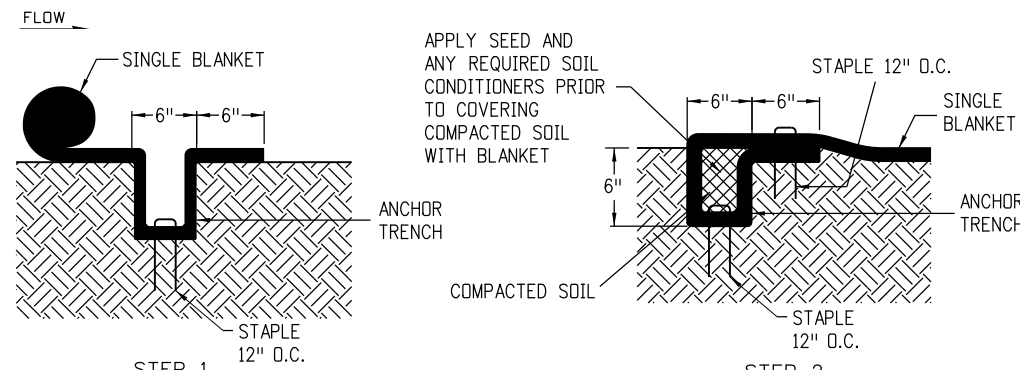
**TYPICAL STAPLE PATTERN FOR CHANNEL APPLICATION**

SEE SUBSECTION 216.05.



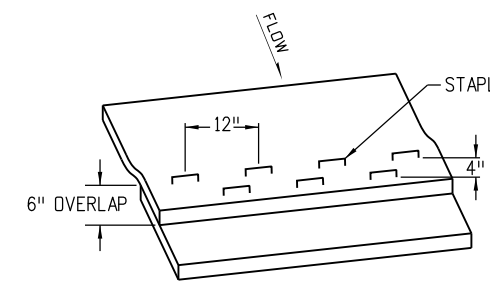
**SOIL FILLED TRM APPLICATION**

1. PLACE 3" TOPSOIL OR SOIL AMENDED WITH SOIL CONDITIONING.
2. APPLY SEED AND RAKE INTO SOIL.
3. INSTALL TRM.
4. PLACE 0.5" TO 1" TOPSOIL OR SOIL AMENDED WITH SOIL CONDITIONING.
5. APPLY SEED AND RAKE INTO SOIL.
6. INSTALL SOIL RETENTION BLANKET (CLASS 1).



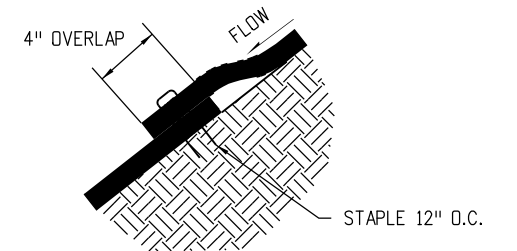
**ANCHOR TRENCH (A)**

TO BE USED AT THE BEGINNING AND END OF THE CHANNEL ACROSS IT'S ENTIRE WIDTH.



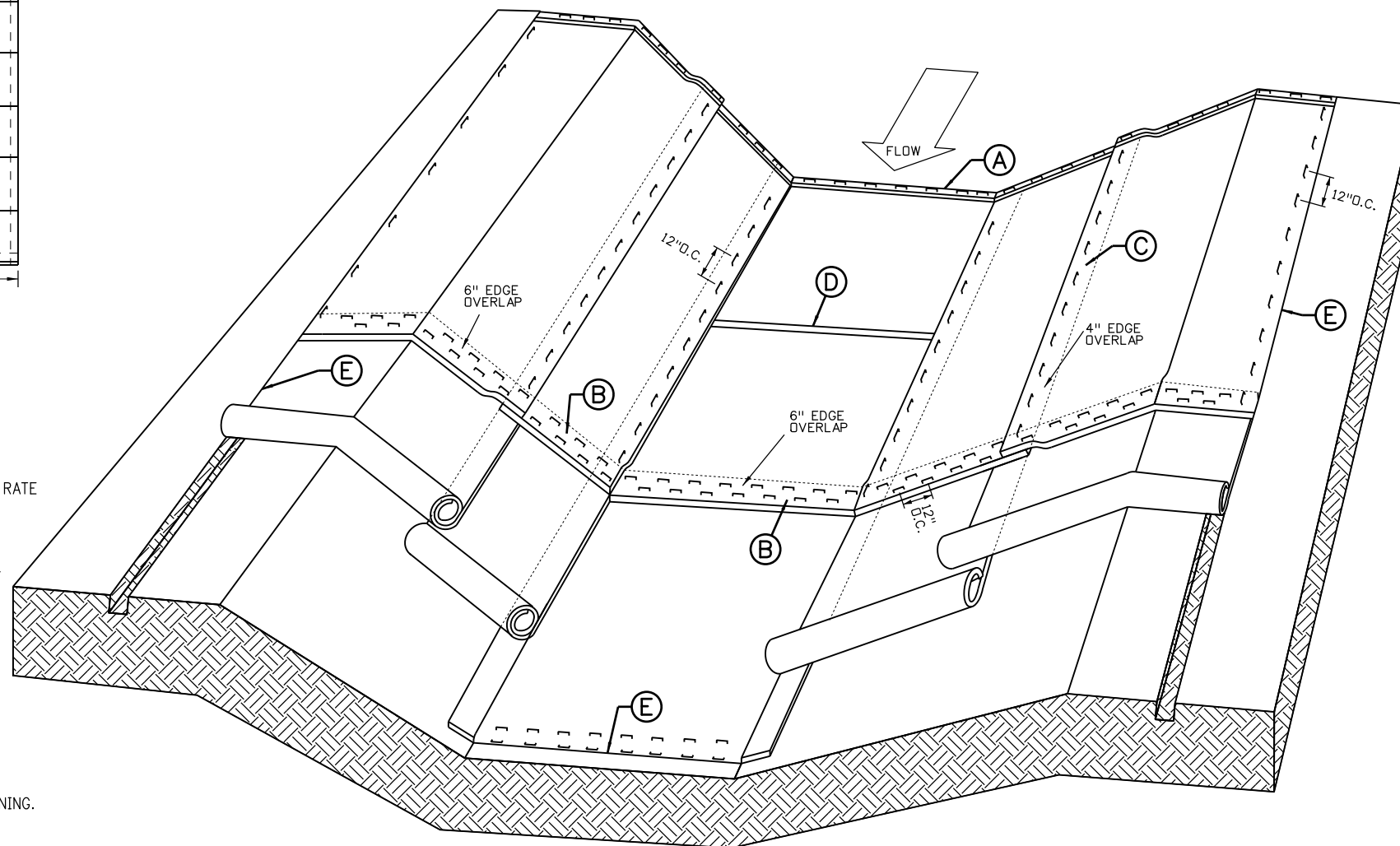
**CONSECUTIVE ROLL OVERLAP (B)**

TO BE USED WHEREVER ONE ROLL OF BLANKET ENDS AND ANOTHER BEGINS WITH UPSTREAM BLANKET PLACED ON TOP OF THE BLANKET ON THE DOWNSTREAM SIDE.



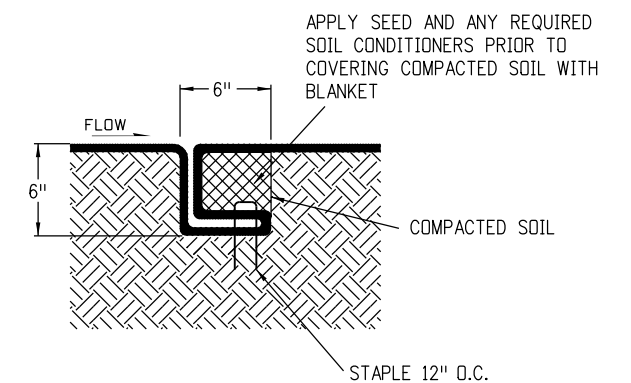
**SIDE SEAM OVERLAP (C)**

TO BE USED FOR OVERLAP WHEN 2 WIDTHS OF BLANKET ARE APPLIED SIDE BY SIDE WITH THE UPHILL BLANKET PLACED ON TOP OF THE BLANKET ON THE DOWNHILL SIDE.



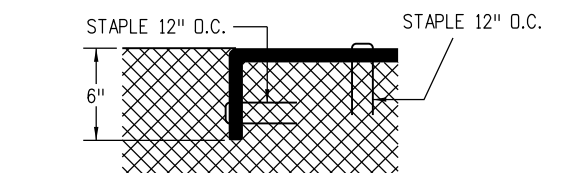
**SOIL RETENTION BLANKETS/TURF REINFORCEMENT MATS (TRM) CHANNEL APPLICATION**

IN ACCORDANCE WITH SECTION 216.



**CHANNEL CHECK SLOT (D)**

TO BE USED AT 30' INTERVALS IN CHANNEL FLOWLINE.



**TERMINATION OF CHANNEL (E)**

**GENERAL NOTES**

1. Z SHAPED FOLD TO BE USED ON SLOPE EVERY 35 FEET MAXIMUM.
2. STAPLE CHECK LOCATIONS SHOULD BE AT LEAST 15 FEET FROM THE BOTTOM OF SLOPE.

**Computer File Information**

Creation Date: 07/04/12	Initials: DLM
Last Modification Date: 07/16/15	Initials: LTA
Full Path: www.coloradodot.info/business/designsupport	
Drawing File Name: 2016010102.dgn	
CAD Ver.: MicroStation V8	Scale: Not to Scale Units: English

**Sheet Revisions**

Date:	Comments:
(R-X)	
(R-X)	
(R-X)	
(R-X)	

**Colorado Department of Transportation**

4201 East Arkansas Avenue  
 CDOT HQ, 4th Floor  
 Denver, CO 80222  
 Phone: 303-757-9021 FAX: 303-757-9868

**Division of Project Support** **DLM/LTA**

**SOIL RETENTION COVERING**

Issued By: Project Development Branch on July 16, 2015

**STANDARD PLAN NO.**

M-216-1

Sheet No. 1 of 2