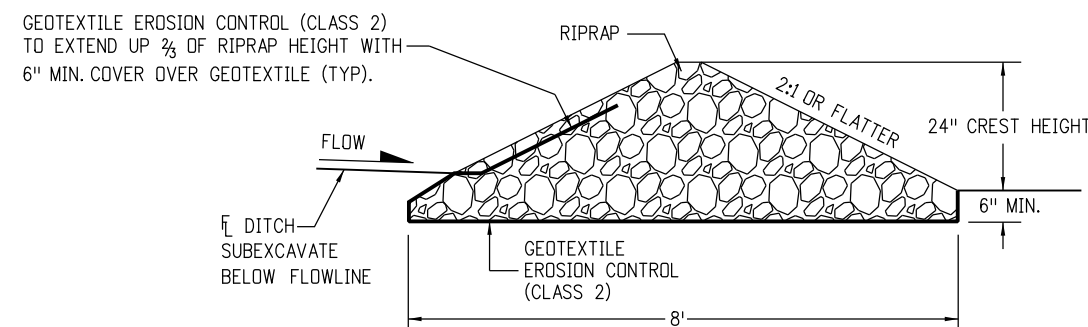
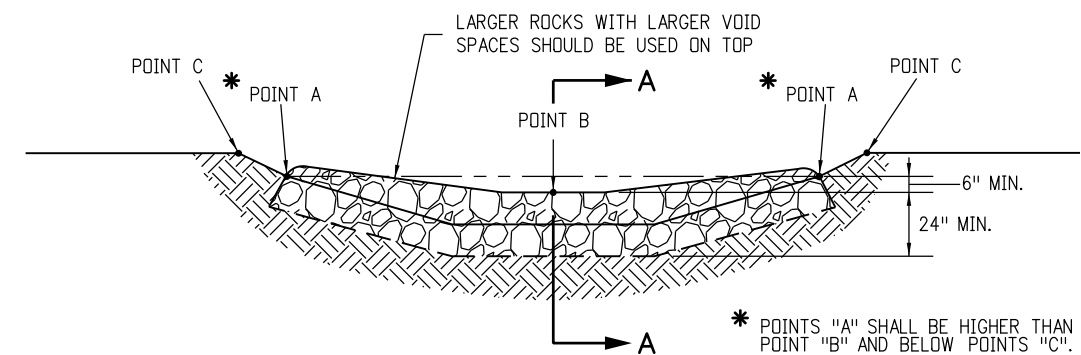


SECTION VIEW ALONG DITCH FLOWLINE



SECTION A-A




TYPICAL SECTION VIEW

NOTES:

1. RIPRAP SIZE $D_{50} = 6"$ OR AS SHOWN ON THE PLANS.
2. THE GEOTEXTILE EROSION CONTROL SHALL BE CLASS 2 AND CONFORM TO THE REQUIREMENTS OF SUBSECTION 712.08.
3. THE ENDS OF RIPRAP CHECK DAM SHALL BE A MINIMUM OF 6 IN. HIGHER THAN CENTER OF CHECK DAM.
4. FOR USE AS TEMPORARY CHECK DAMS ONLY AND NOT FOR PERMANENT INSTALLATIONS.
5. THE PAY ITEM NUMBER FOR ROCK CHECK DAM (EA) IS 208-00041.

ROCK CHECK DAM

Computer File Information		Sheet Revisions		Colorado Department of Transportation  4201 East Arkansas Avenue CDOT HQ, 4th Floor Denver, CO 80222 Phone: 303-757-9021 FAX: 303-757-9868 Division of Project Support JBK/LTA	TEMPORARY EROSION CONTROL	STANDARD PLAN NO.
Creation Date: 07/04/12	Initials: JBK	Date:	Comments:			M-208-1
Last Modification Date: 03/29/16	Initials: LTA	03/29/16	Minor revisions to some Notes.			Sheet No. 11 of 11
Full Path: www.coloradodot.info/business/designsupport	(R-X)				Issued By: Project Development Branch on July 4, 2012	
Drawing File Name: 20801011011.dgn	(R-X)					
CAD Ver.: MicroStation V8	(R-X)					
Scale: Not to Scale						
Units: English						