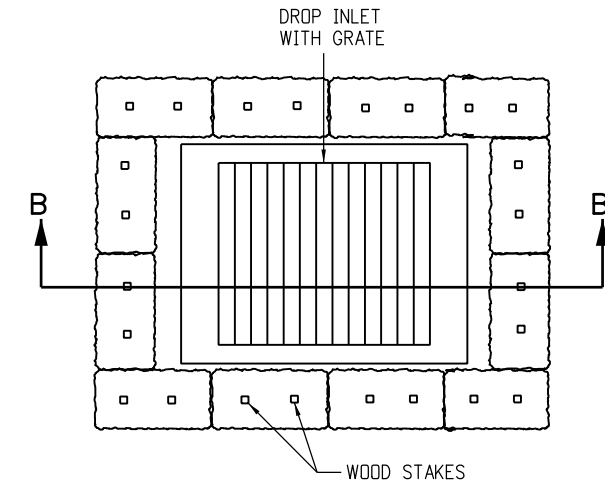
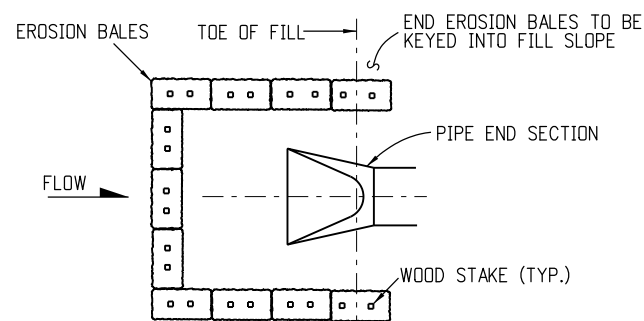


**NOTES**

1. STAKES SHALL BE WOOD AND SHALL BE 2" X 2" X 30" NOMINAL.
2. EROSION BALES SHALL BE 18" X 18" X 36".
3. EROSION BALES SHALL BE ENTRENCHED 4 IN. MINIMUM INTO THE SOIL, THIGHTLY ABUTTED WITH NO GAPS, STAKED, AND BACKFILLED AROUND THE ENTIRE OUTSIDE PERIMETER.
4. EROSION BALES CANNOT BE USED FOR CHECK DAMS.
5. THE PAY ITEM NUMBER FOR EROSION BALES (WEED FREE) (EA) IS 208-00011.

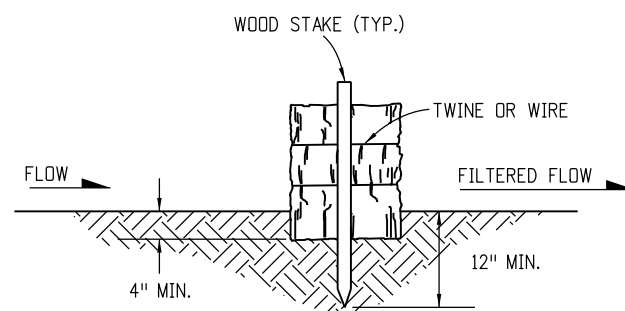


**PLAN VIEW**



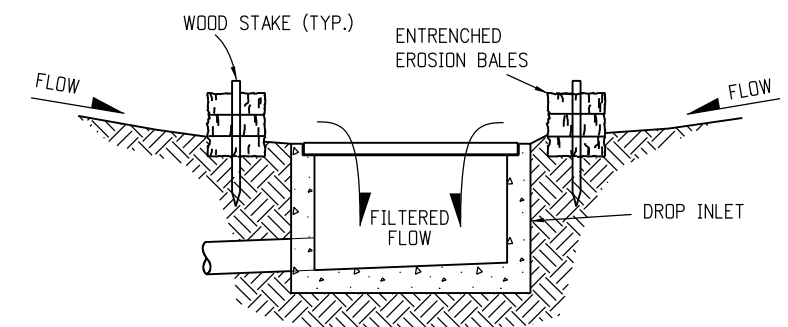
**PLAN VIEW**

**EROSION BALE CULVERT INLET PROTECTION**



**SECTION A-A**

**EROSION BALE TRENCHING AND STAKING**



**SECTION B-B**

**EROSION BALE FILTER AT DROP INLET**

**EROSION BALE APPLICATIONS**

<b>Computer File Information</b>		<b>Sheet Revisions</b>		 <p>Colorado Department of Transportation 4201 East Arkansas Avenue CDOT HQ, 4th Floor Denver, CO 80222 Phone: 303-757-9021 FAX: 303-757-9868 Division of Project Support JBK/LTA</p>	<p><b>TEMPORARY EROSION CONTROL</b></p> <p>Issued By: Project Development Branch on July 4, 2012</p>	<b>STANDARD PLAN NO.</b>	
Creation Date: 07/04/12	Initials: JBK	Date:	Comments			<p><b>M-208-1</b></p> <p>Sheet No. 10 of 11</p>	
Last Modification Date: 03/29/16	Initials: LTA	03/29/16	Minor revisions to some dimensions.				
Full Path: www.coloradodot.info/business/designsupport	(R-X)						
Drawing File Name: 20801010011.dgn	(R-X)						
CAD Ver.: MicroStation V8	Scale: Not to Scale	Units: English	(R-X)				