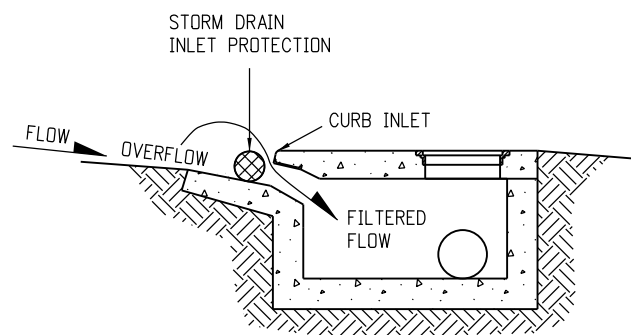


PLAN VIEW

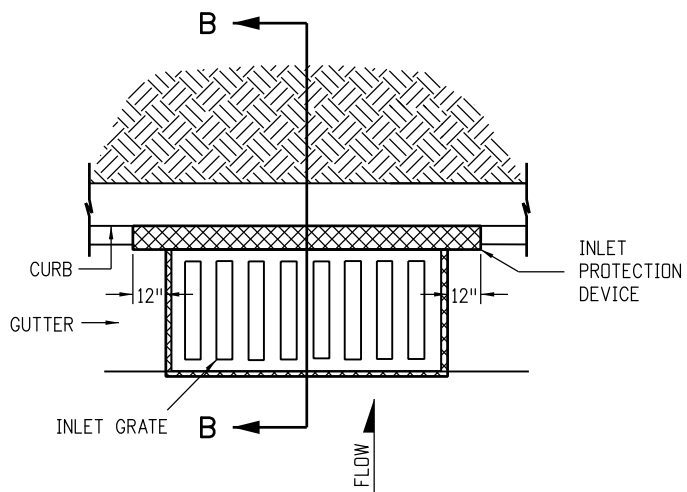


SECTION A-A

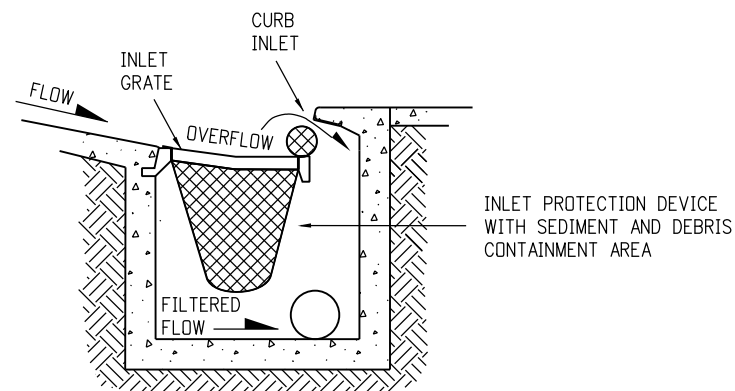
STORM DRAIN INLET PROTECTION (TYPE I)

NOTES

1. INLET PROTECTION DEVICE SHALL EXTEND 12 INCHES PAST EACH END OF THE INLET.
2. THE PAY ITEM NUMBER FOR STORM DRAIN INLET PROTECTION (TYPE I) (EACH) IS 208-00051.
3. FOR STORM DRAIN INLET TYPES I AND II, IF THERE IS A MINIMUM CLEARANCE OF 3 FEET FROM THE EDGE OF THE TRAVELED WAY TO THE FACE OF CURB, USE THE AGGREGATE BAGS AT STORM DRAIN INLET (TYPE I) DETAIL ON SHEET 4 INSTEAD.



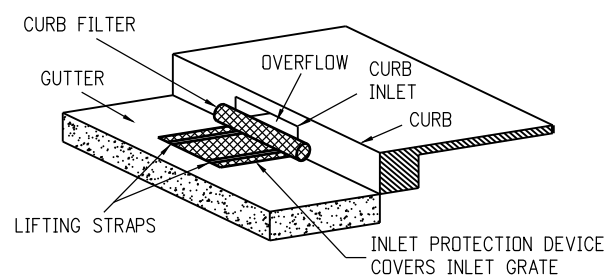
PLAN VIEW



SECTION B-B

OPTION A

STORM DRAIN INLET PROTECTION (TYPE II)

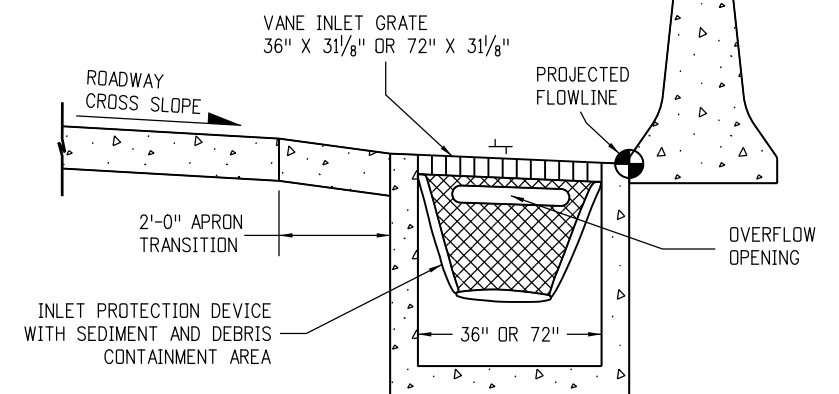


ISOMETRIC VIEW

OPTION B

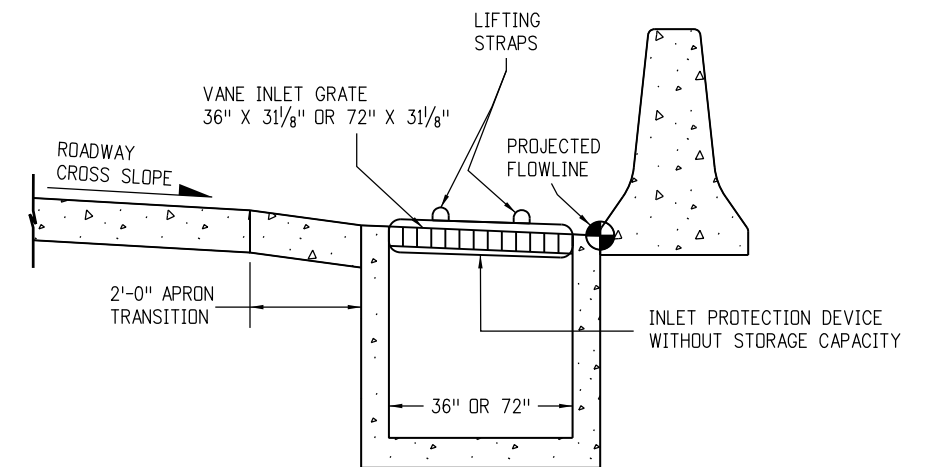
STORM DRAIN INLET PROTECTION (TYPE II)

NOTE: THE PAY ITEM NUMBER FOR STORM DRAIN INLET PROTECTION (TYPE II) (EACH) IS 208-00052.



OPTION A

STORM DRAIN INLET PROTECTION (TYPE III)



OPTION B

STORM DRAIN INLET PROTECTION (TYPE III)

NOTE: THE PAY ITEM NUMBER FOR STORM DRAIN INLET PROTECTION (TYPE III) (EACH) IS 208-00056.

STORM DRAIN INLET PROTECTION TYPES

Computer File Information		Sheet Revisions		Colorado Department of Transportation  4201 East Arkansas Avenue CDOT HQ, 4th Floor Denver, CO 80222 Phone: 303-757-9021 FAX: 303-757-9868 Division of Project Support JBK/LTA	TEMPORARY EROSION CONTROL	STANDARD PLAN NO.
Creation Date: 07/04/12	Initials: JBK	Date:	Comments			M-208-1
Last Modification Date: 03/29/16	Initials: LTA	03/29/16	Added Note 3.			Sheet No. 5 of 11
Full Path: www.coloradodot.info/business/designsupport	(R-X)					
Drawing File Name: 2080105011.dgn	(R-X)					
CAD Ver.: MicroStation V8	Scale: Not to Scale	Units: English	(R-X)		Issued By: Project Development Branch on July 4, 2012	