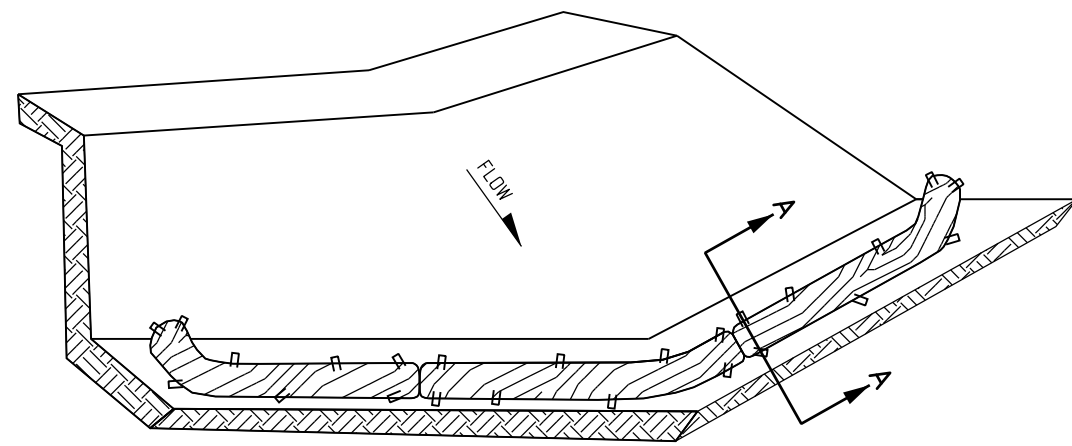
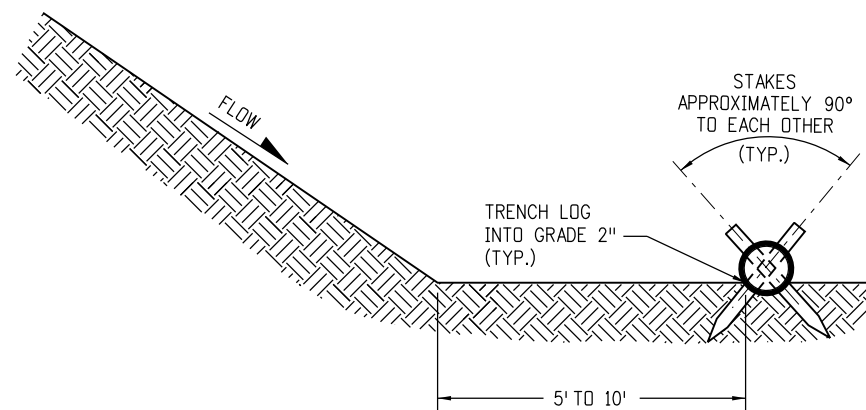


NOTES

1. SILT FENCE SHALL HAVE A MAXIMUM DRAINAGE AREA OF ONE-QUARTER ACRE PER 100 FEET OF SILT FENCE LENGTH; MAXIMUM SLOPE LENGTH BEHIND BARRIER IS 100 FEET; MAXIMUM GRADIENT BEHIND THE BARRIER IS 2:1.
2. SILT FENCE USED AT TOE OF SLOPE SHALL BE PLACED 5 TO 10 FEET BEYOND TOE OF SLOPE TO PROVIDE STORAGE CAPACITY.
3. SILT FENCE SHALL BE PLACED ON THE CONTOUR WITH ENDS FLARED UP SLOPE.
4. THE MAXIMUM LENGTH OF EROSION LOGS OR SILT FENCES WITHOUT A FLARED END TURNING UPSLOPE IS 150 FEET.



ISOMETRIC VIEW



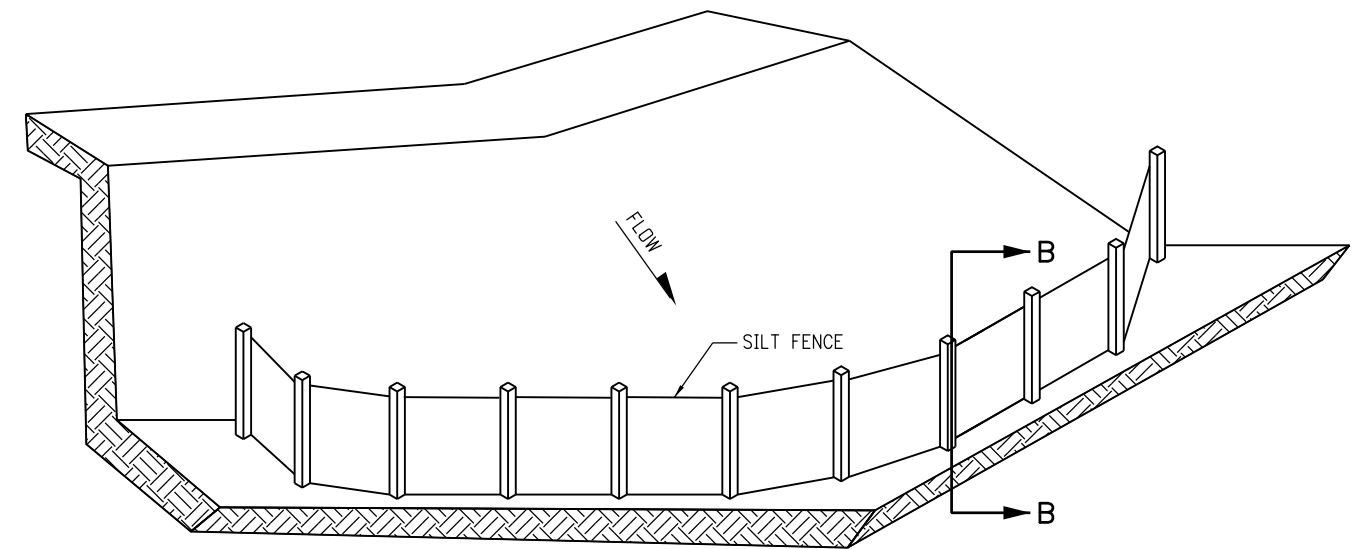
SECTION A-A

NOTES:

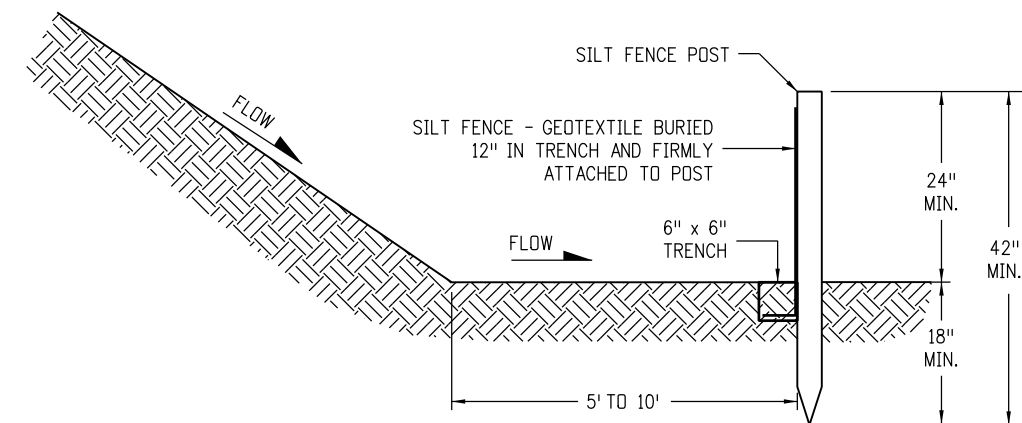
1. EROSION LOGS USED AT TOE OF SLOPE SHALL BE PLACED 5 TO 10 FEET BEYOND TOE OF SLOPE TO PROVIDE STORAGE CAPACITY.
2. EROSION LOGS SHALL BE PLACED ON THE CONTOUR WITH ENDS FLARED UP SLOPE.
3. SEE SHEET 2 OF 11 FOR JOINING LOGS DETAIL.

EROSION LOGS PAY ITEMS	
NUMBER	DESCRIPTION
208-00012	TYPE 1 (9")
208-00002	TYPE 1 (12")
208-00013	TYPE 1 (20")
208-00007	TYPE 2 (8")
208-00008	TYPE 2 (12")
208-00009	TYPE 2 (18")

EROSION LOG TOE OF SLOPE PROTECTION



ISOMETRIC VIEW




SECTION B-B

SILT FENCE TOE OF SLOPE PROTECTION

NOTE: THE PAY ITEM NUMBER FOR SILT FENCE (LF) IS 208-00020.

TOE OF SLOPE PROTECTION APPLICATIONS

Computer File Information		Sheet Revisions		Colorado Department of Transportation  4201 East Arkansas Avenue CDOT HQ, 4th Floor Denver, CO 80222 Phone: 303-757-9021 FAX: 303-757-9868 Division of Project Support JBK/LTA	TEMPORARY EROSION CONTROL	STANDARD PLAN NO.
Creation Date: 07/04/12	Initials: JBK	Date:	Comments			M-208-1
Last Modification Date: 03/29/16	Initials: LTA	03/29/16	Minor revisions to some dimensions. Added Erosion Logs Pay Item table.			Sheet No. 3 of 11
Full Path: www.coloradodot.info/business/designsupport	(R-X)					
Drawing File Name: 2080103011.dgn	(R-X)					
CAD Ver.: MicroStation V8 Scale: Not to Scale Units: English	(R-X)				Issued By: Project Development Branch on July 4, 2012	