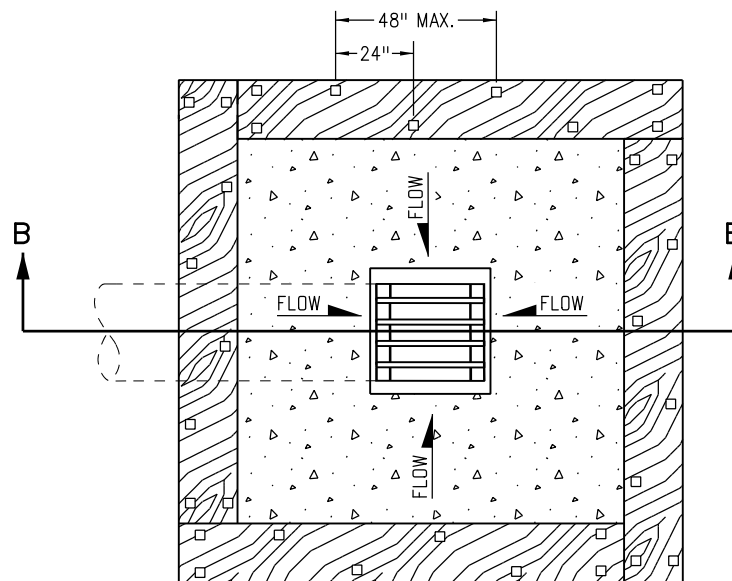
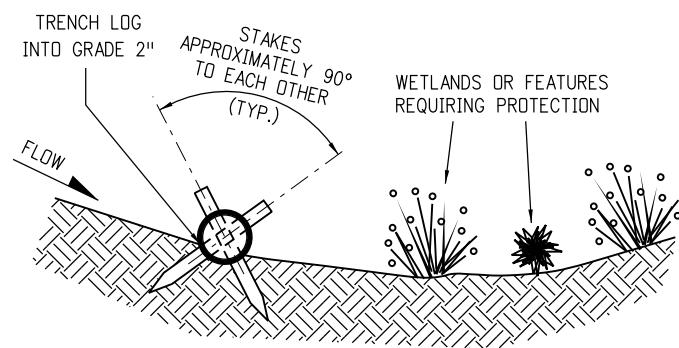


**PLAN VIEW**

EROSION LOGS PAY ITEMS	
NUMBER	DESCRIPTION
208-00012	TYPE 1 (9")
208-00002	TYPE 1 (12")
208-00013	TYPE 1 (20")
208-00007	TYPE 2 (8")
208-00008	TYPE 2 (12")
208-00009	TYPE 2 (18")

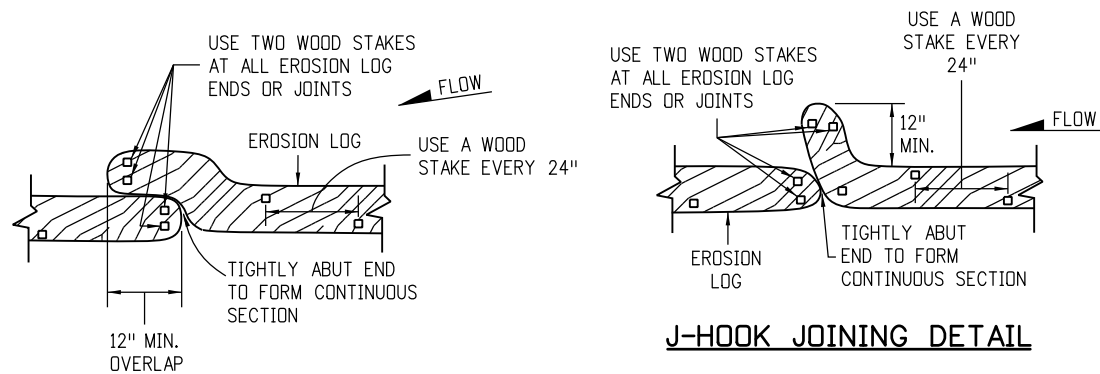


**PLAN VIEW**



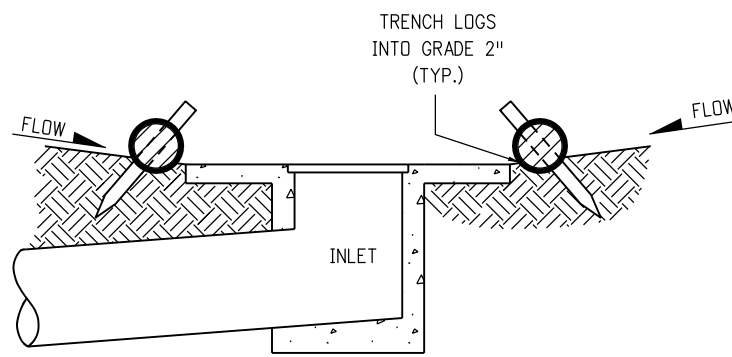
**SECTION A-A**

**TYPICAL STAKE INSTALLATION**



**OVERLAP JOINING DETAIL**

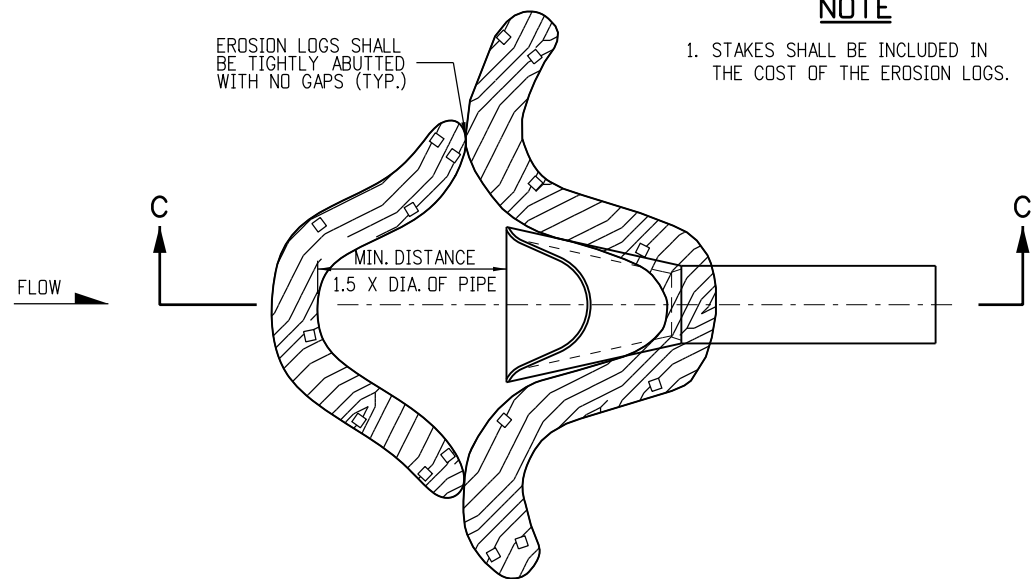
**JOINING EROSION LOG APPLICATIONS**



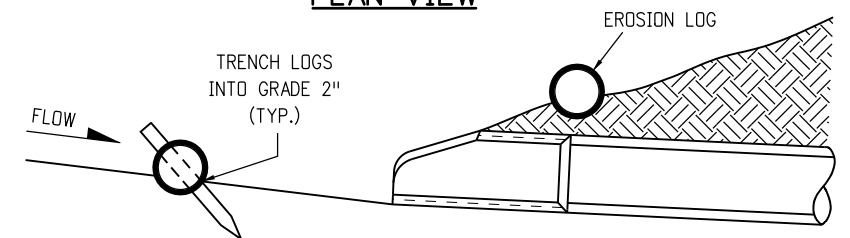
**SECTION B-B**

**EROSION LOG FILTER AT DROP INLET**

**EROSION LOG APPLICATIONS**

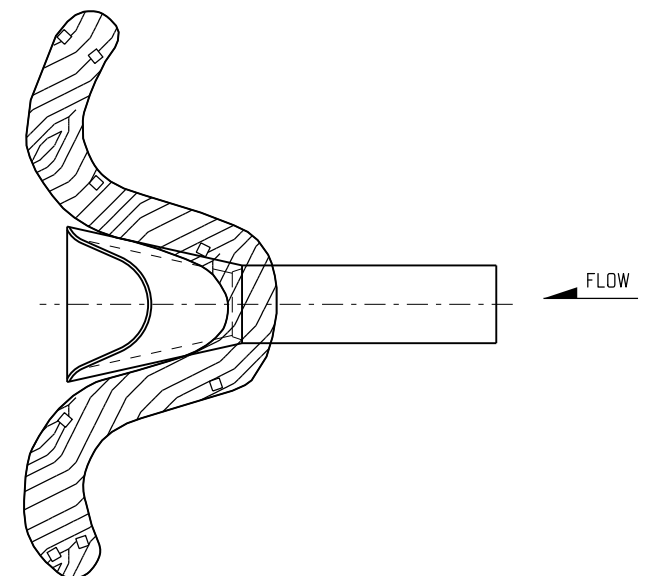


**PLAN VIEW**



**SECTION C-C**  
(NOT ALL LOGS SHOWN)

**EROSION LOG CULVERT INLET PROTECTION**



**EROSION LOG CULVERT OUTLET PROTECTION**

**Computer File Information**

Creation Date: 07/04/12	Initials: JBK
Last Modification Date: 03/29/16	Initials: LTA
Full Path: www.coloradodot.info/business/designsupport	(R-X)
Drawing File Name: 2080102011.dgn	(R-X)
CAD Ver.: MicroStation V8	(R-X)

**Sheet Revisions**

Date:	Comments
03/29/16	Minor revisions to some dimensions. Added Erosion Logs Pay Item table.

Colorado Department of Transportation  
 4201 East Arkansas Avenue  
 CDOT HQ, 4th Floor  
 Denver, CO 80222  
 Phone: 303-757-9021 FAX: 303-757-9868  
 Division of Project Support JBK/LTA

**TEMPORARY  
 EROSION CONTROL**

Issued By: Project Development Branch on July 4, 2012

**STANDARD PLAN NO.**

M-208-1

Sheet No. 2 of 11