

Firm's License #

State License #

#	DESCRIPTION	DATE
1	BUILDING DEPARTMENT	7/26/17

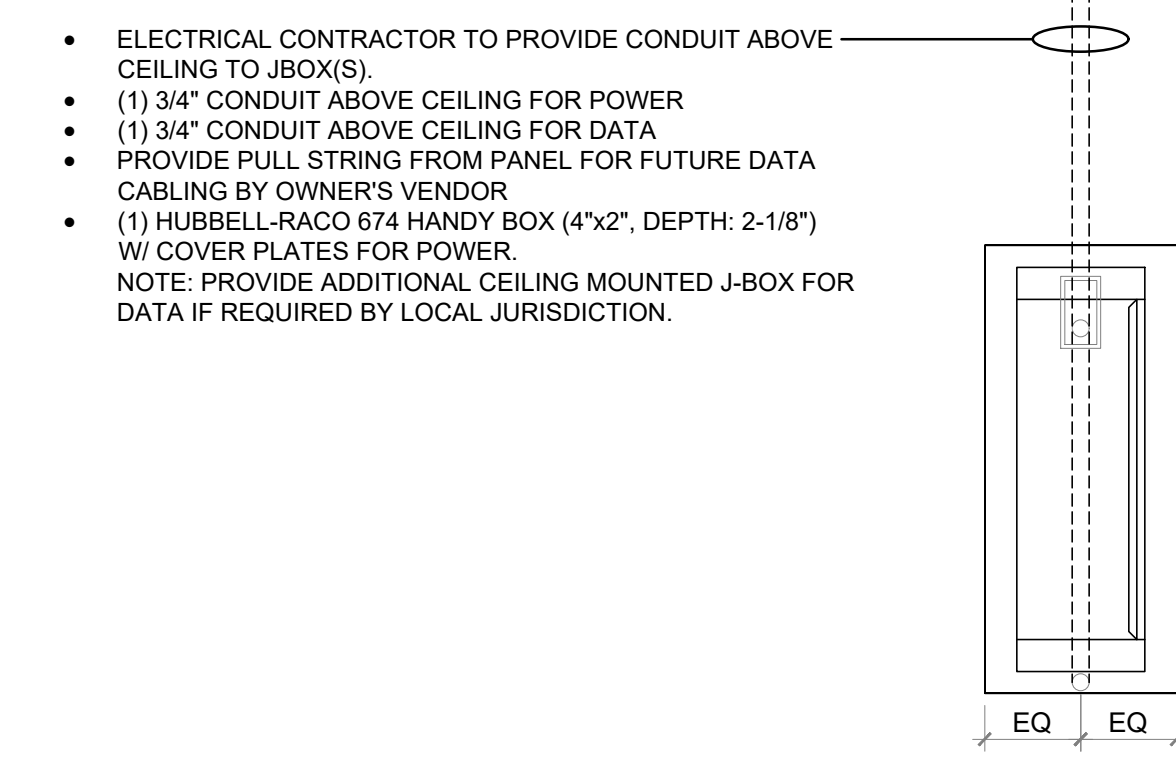
US HWY 50 & CLUB MANOR DR
908 W US HWY 50
PUEBLO, CO 81008

FIXTURE FEED WIRING DETAILS

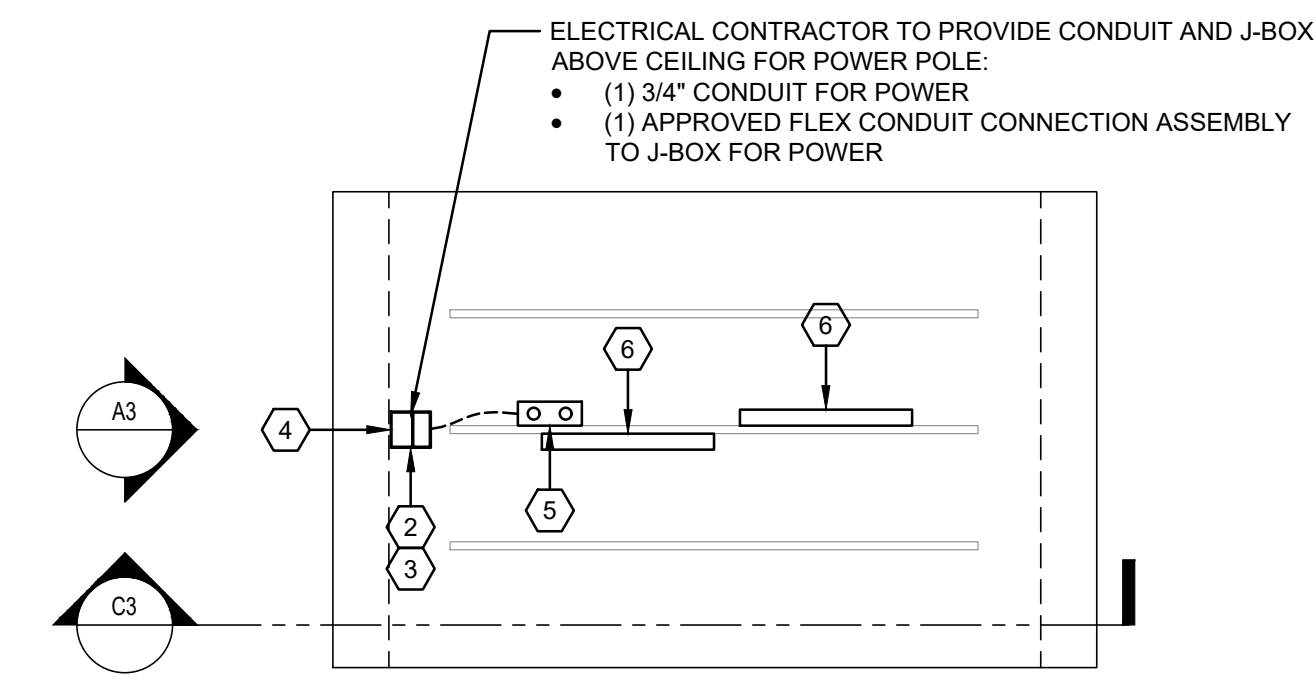
MDC
CORPORATE - RELO
686
DESIGN DEVELOPMENT

DATE: 12/21/2017
SCALE: 1/4"=1'-0"
DRAWN BY: XXX
PROJECT No.: TMO364
SHEET:

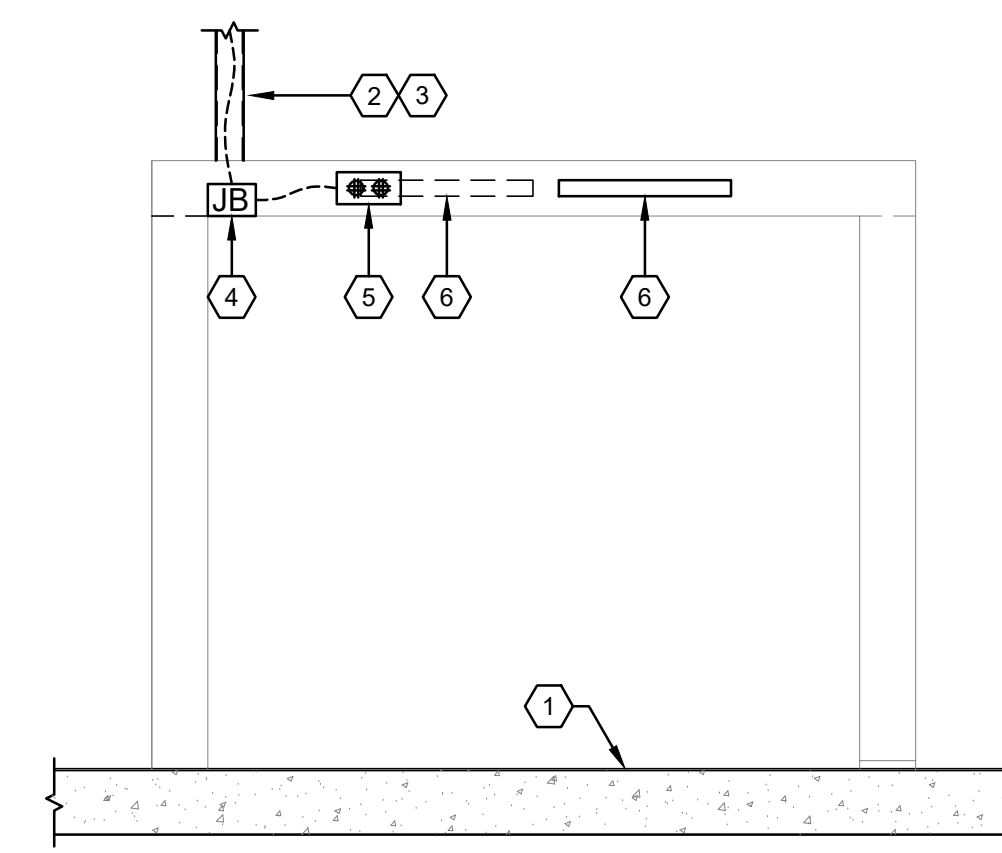
E511



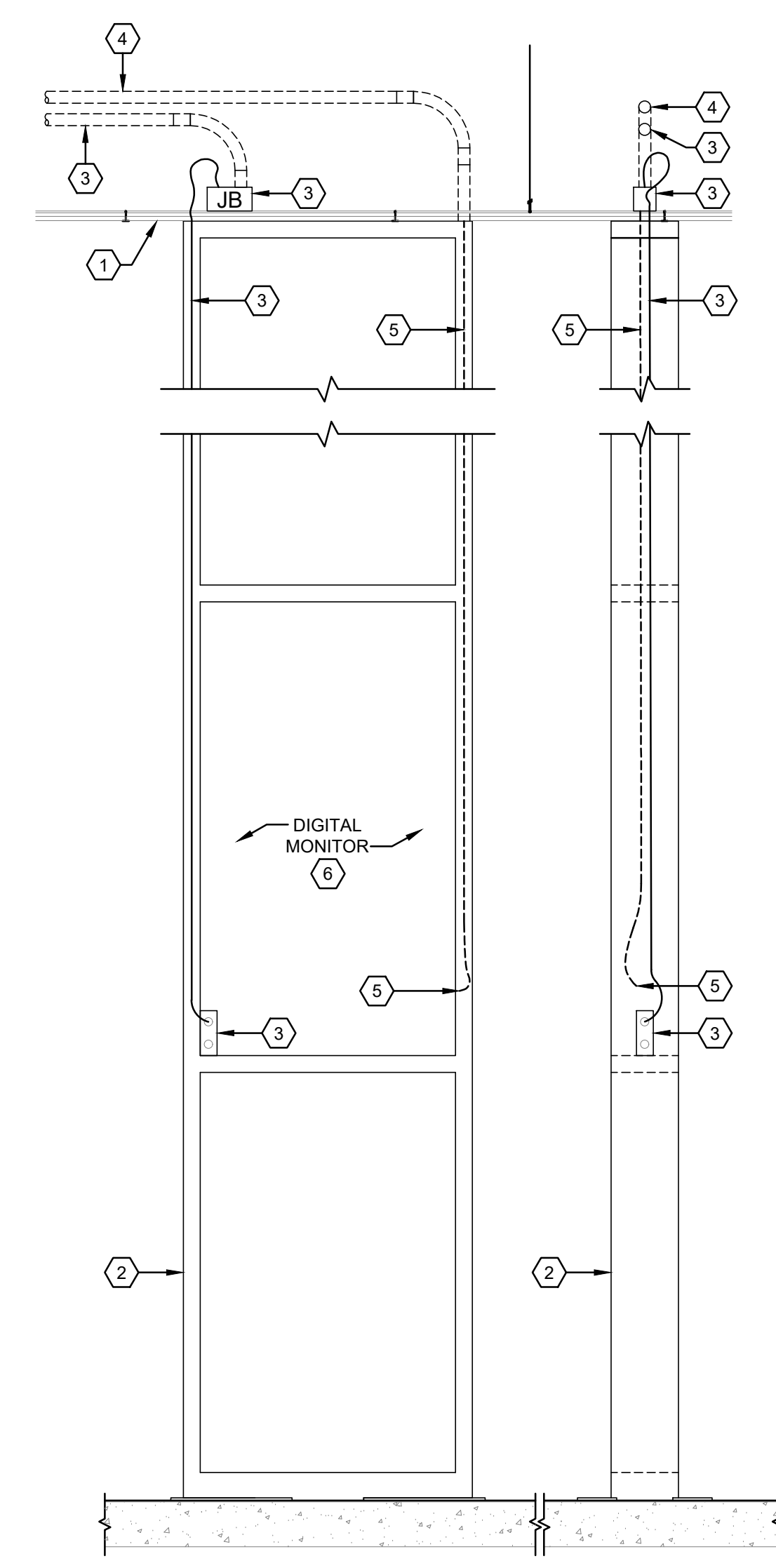
C1 FF301/303 (DIGITAL FRONT MALL/WINDOW)
1" = 1'-0"



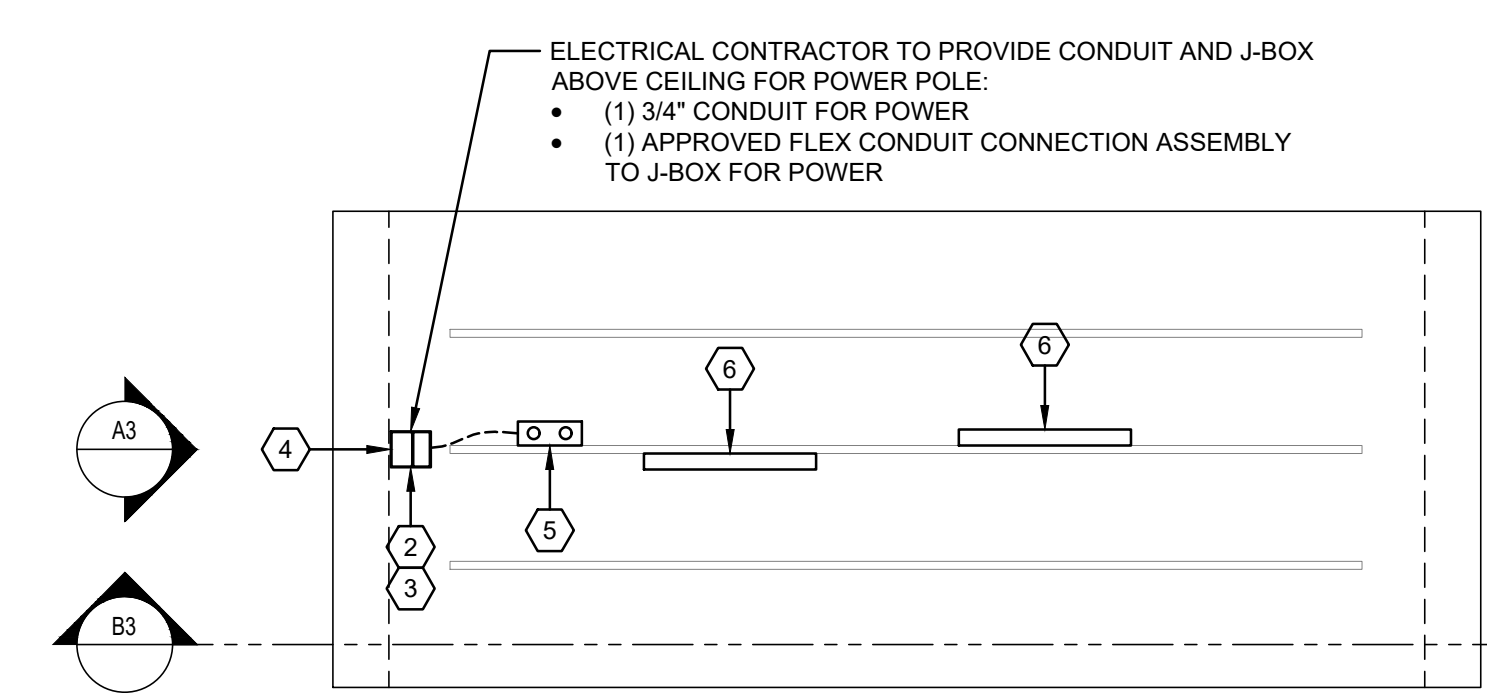
C2 FF202 (FEATURE TABLE) - PLAN VIEW
1" = 1'-0"



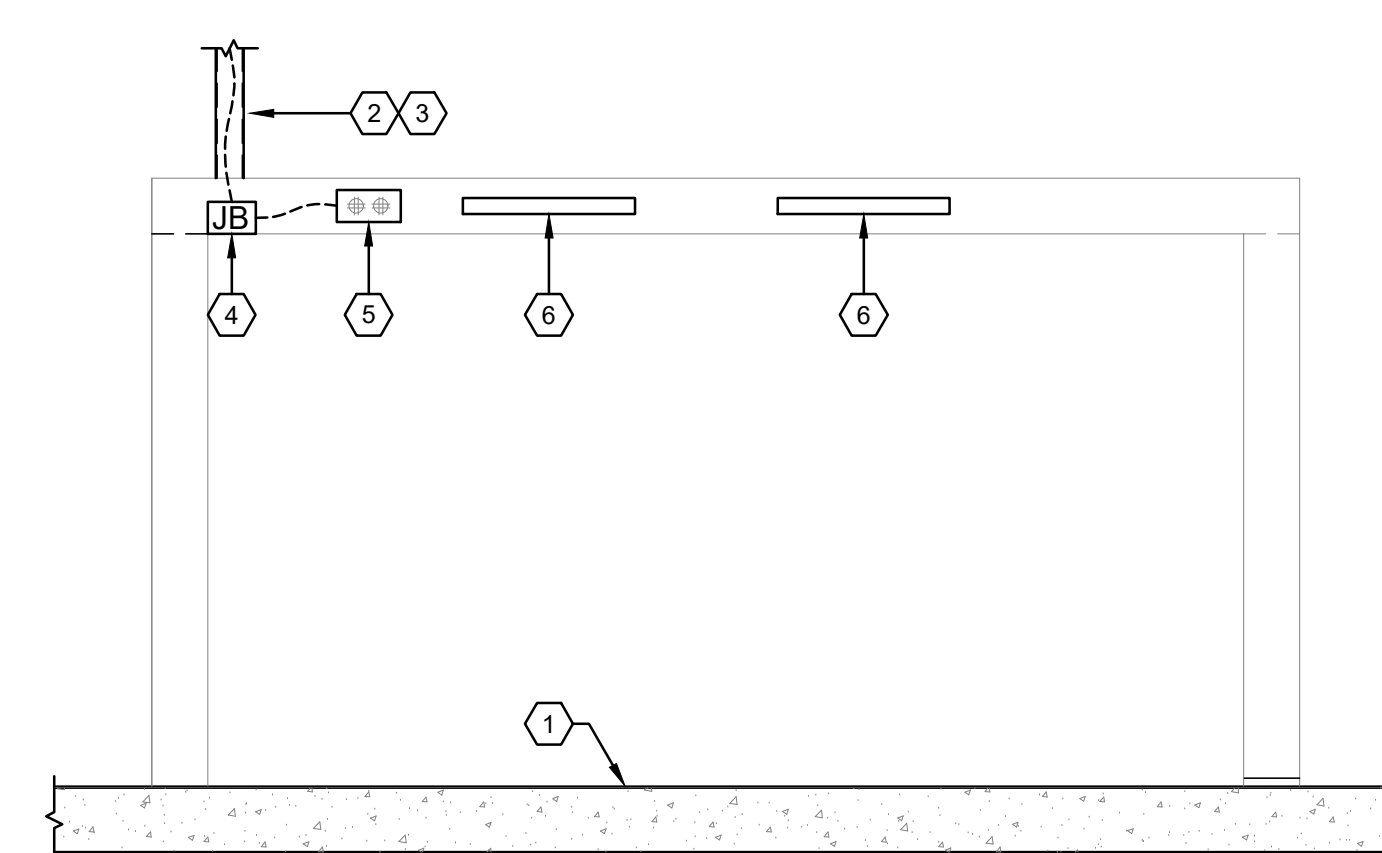
C3 FF202 (FEATURE TABLE) - SECTION VIEW
1" = 1'-0"



A1 FF301/303 (DIGITAL FRONT MALL/WINDOW)
1" = 1'-0"



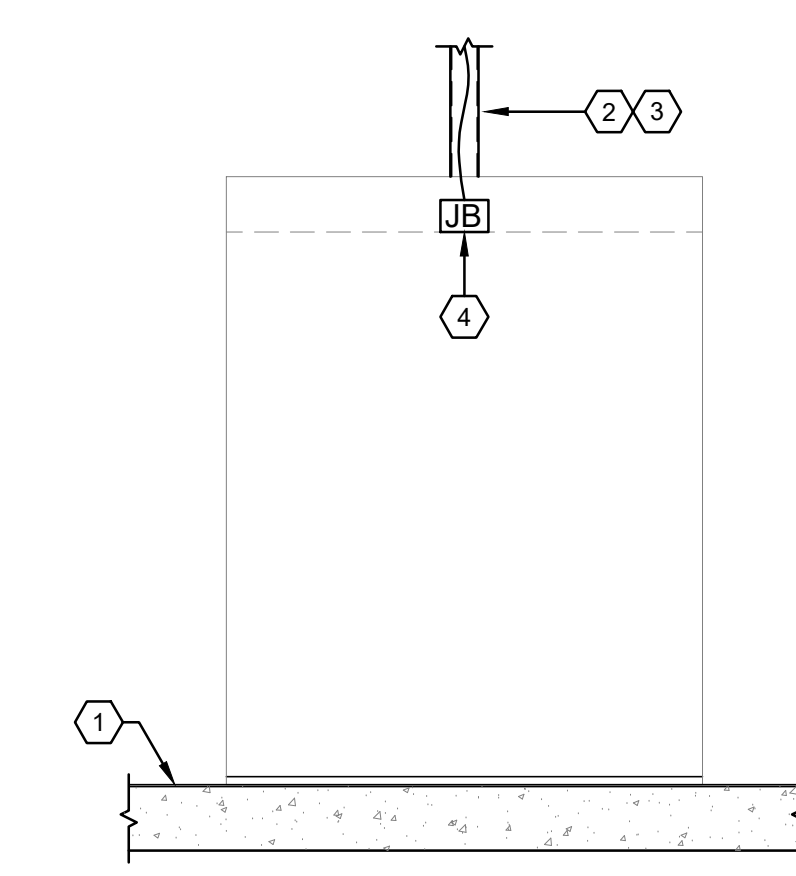
B2 FF204 (FEATURE TABLE) - PLAN VIEW
1" = 1'-0"



B3 FF204 (FEATURE TABLE) - SECTION VIEW
1" = 1'-0"

FF301/303 KEY NOTES	
#	NOTES
1	FINISH CEILING.
2	ALUMINUM EXTRUDED FIXTURE BY OWNERS VENDOR. EXACT HEIGHT CUT IN FIELD TO MATCH CEILING HEIGHT.
3	ELECTRICAL CONTRACTOR TO PROVIDE CONDUIT AND POWER CIRCUIT FROM PANEL TO J-BOX ABOVE CEILING. PROVIDE APPROVED BX CABLE CONNECTION ASSEMBLY FROM CEILING J-BOX AND EXTEND CIRCUIT TO BLANK DUPLEX BOX INSIDE FIXTURE. BX CABLE SHOULD BE SUSPENDED IN CEILING PER CODE REQUIREMENTS. BLANK DUPLEX BOX CAN BE INSTALLED IN EITHER SIDE OF FIXTURE. ELECTRICAL CONTRACTOR TO PROVIDE DUPLEX RECEPTACLE AND MAKE ALL FINAL CONNECTIONS.
4	ELECTRICAL CONTRACTOR TO PROVIDE CONDUIT & PULL STRING FROM TELEPHONE BOARD TO DFW FIXTURE FOR DATA CABLING AND RJ45 CONNECTION BY OWNERS VENDOR. PROVIDE ADDITIONAL CEILING MOUNTED J-BOX FOR DATA IF REQUIRED BY LOCAL JURISDICTION.
5	OWNER'S VENDOR TO PROVIDE CAT5E CABLING FOR DATA FROM TELCO CLOSET TO DFW FIXTURE. PROVIDE RJ45 CONNECTOR AS REQ'D AND MAKE FINAL CONNECTION TO PC WITHIN FIXTURE. I.T VENDOR TO TERMINATE CONNECTORS ON BOTH SIDES OF CAT5E CABLING.
6	REFER TO FIXTURE MANUFACTURER INSTALLATION INSTRUCTIONS & SPECIFICATIONS FOR ATTACHMENT AND HARDWARE. CONTACT FIXTURE MFR FOR QUESTIONS OR DISCREPANCIES.

FF201/203 KEY NOTES	
#	NOTES
1	FINISH FLOOR, TYP.
2	POWER POLE: STD CAP - POWER DEEP CAP - DATA
3	ELECTRICAL CONTRACTOR TO PROVIDE CONDUIT AND J-BOXES ABOVE CEILING FOR POWER POLE.
4	PRE-INSTALLED J-BOX BY FIXTURE MANUFACTURER FOR CONNECTION TO POWER SOURCE BY ELECTRICAL CONTRACTOR AFTER FIXTURE INSTALLATION.
5	ELECTRICAL CONTRACTOR TO INSTALL POWER RECEPTACLES IN PRE-INSTALLED BLANK DUPLEX BOX INSIDE FIXTURE. PROVIDE POWER CIRCUIT FROM PANEL TO RECEPTACLES AND PROVIDE APPROVED FLEX CONNECTION ASSEMBLY TO POWER SOURCE AFTER FIXTURE INSTALLATION.
6	ELECTRICAL CONTRACTOR TO INSTALL OWNER SUPPLIED POWER STRIP AND FINAL CONNECTION TO POWER SOURCE AFTER FIXTURE INSTALLATION.



A3 FF202/204 (FEATURE TABLE)
1" = 1'-0"