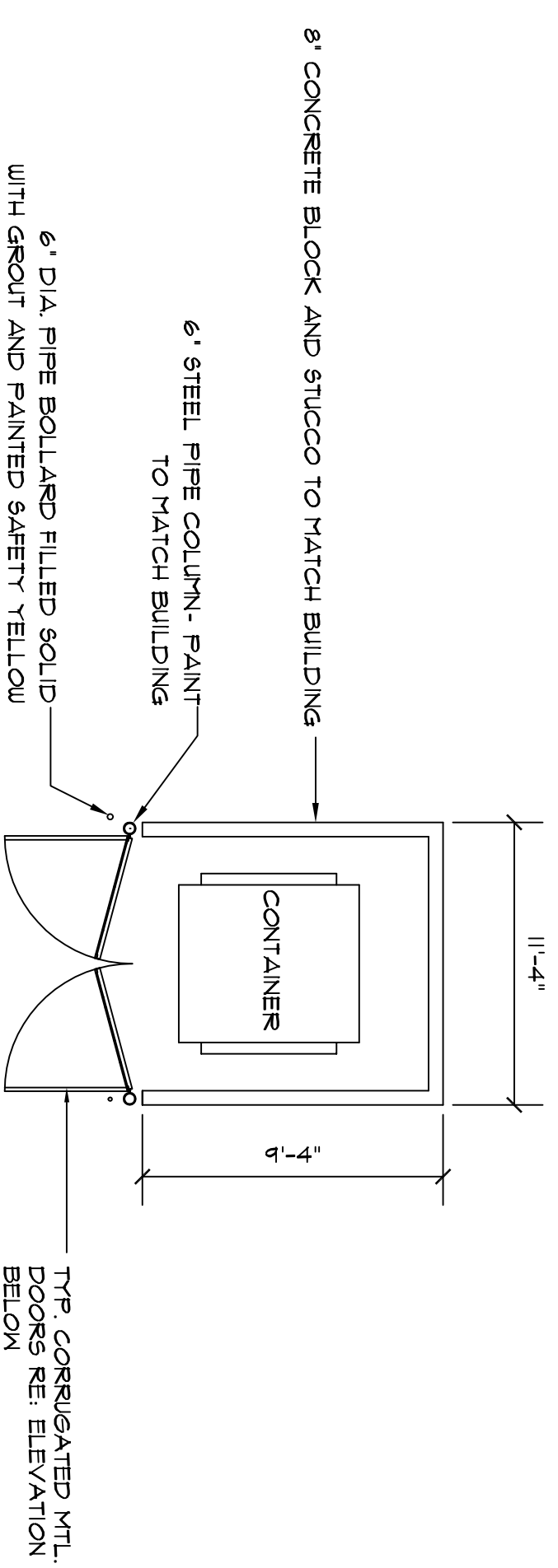


BIKE RACK TYPE
BIKE RACK BY
"CORRACK" -
WHITE BLACK
FINISH

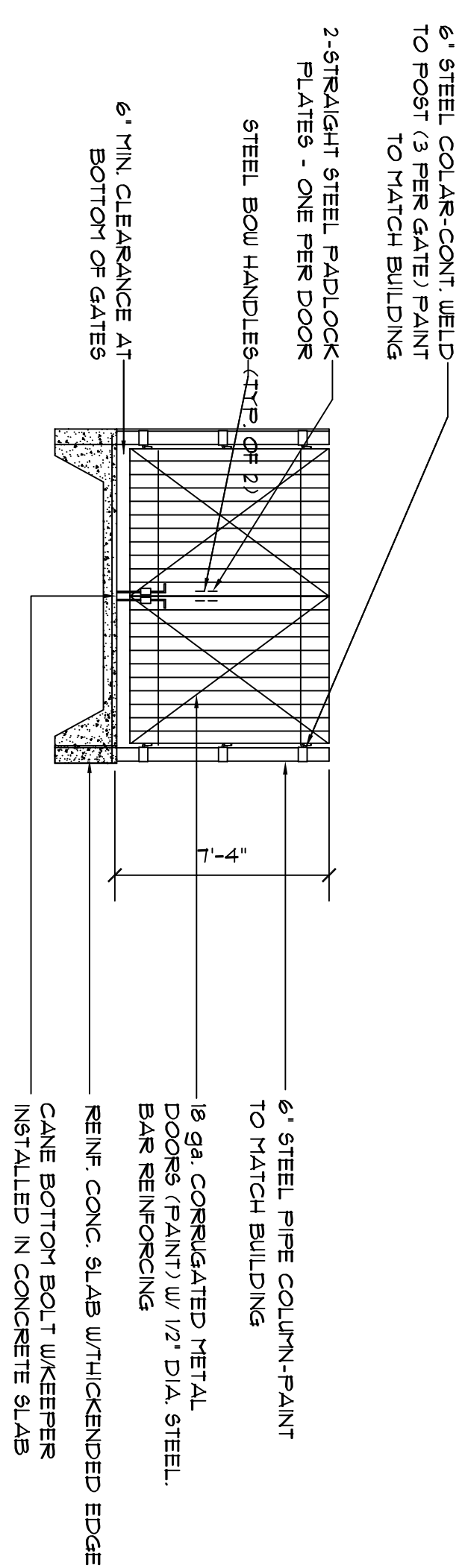
SDP1.2 BIKE RACK DETAIL

SCALE: NOT TO SCALE



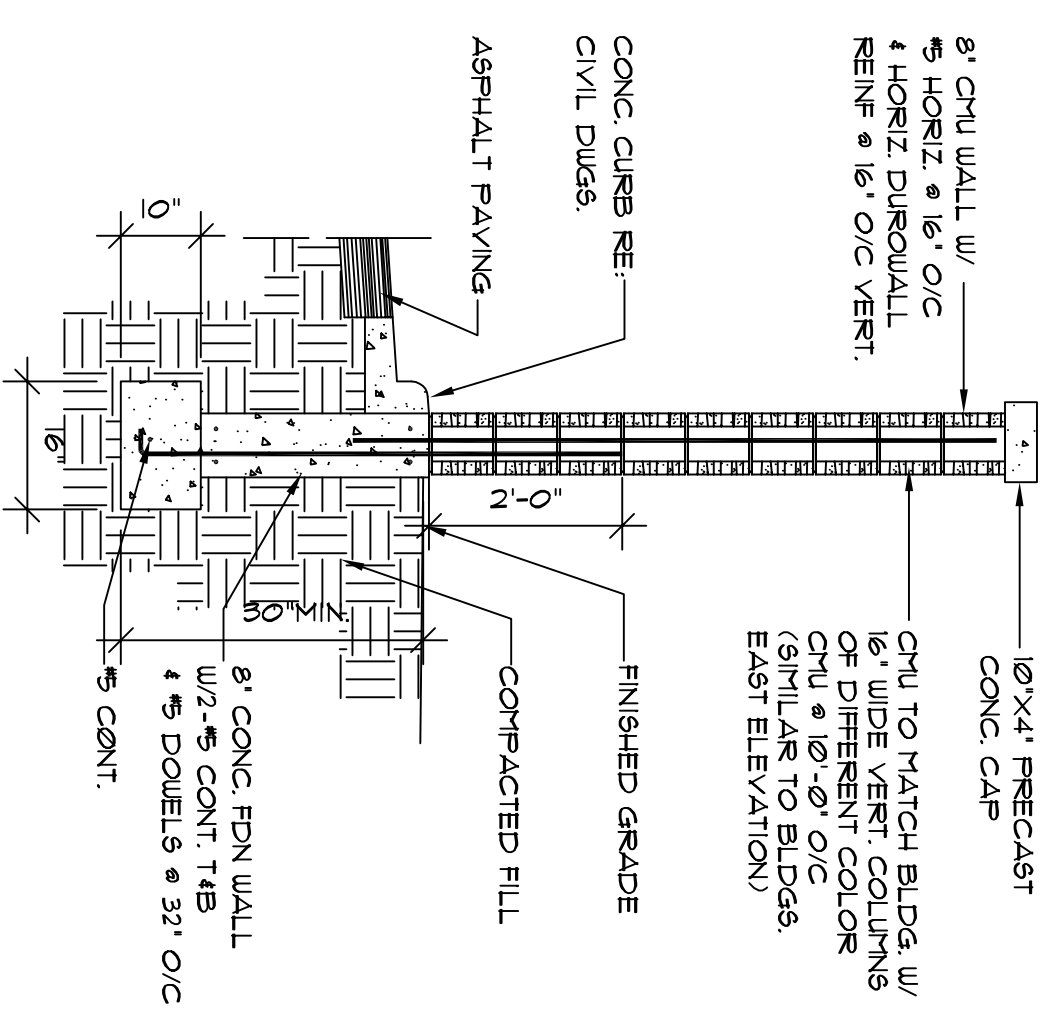
2 TRASH ENCLOSURE PLAN

SCALE: NOT TO SCALE



4 TRASH ENCLOSURE ELEVATION

SCALE: NOT TO SCALE



13 SCREEN WALL DETAIL

SCALE: 1/2"=1'-0"

9 NOT USED

10 NOT USED

11 NOT USED

12 NOT USED

15 NOT USED

16 NOT USED

17 NOT USED

18 NOT USED

14 NOT USED

20 NOT USED

21 NOT USED

22 NOT USED

23 NOT USED

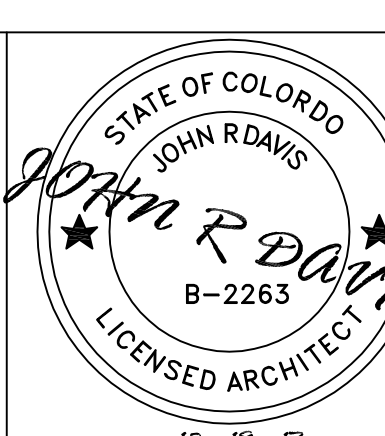
24 APPROVAL STAMP



JOHN DAVIS
DESIGN GROUP

ARCHITECTS
INTERIORS
PLANNERS

176 TALAMINE COURT
SUITE 100
COLORADO SPRINGS,
COLORADO 80907
P 719/528-1177
F 719/444-8409



DO NOT SCALE
DRAWINGS FOR
CONSTRUCTION
PURPOSES

THESE DRAWINGS ARE THE PROPERTY OF
JOHN DAVIS DESIGN GROUP AND ARE NOT TO BE
REPRODUCED OR USED FOR ANY OTHER
PURPOSES WITHOUT THE WRITTEN
CONSENT OF JOHN DAVIS DESIGN GROUP.

SITE DETAILS
NEW SHELL BUILDING ADDITION FOR:
**INDEX DEVELOPMENT
MANAGEMENT, LLC**
908 WEST HIGHWAY 50
PUEBLO, COLORADO

PROJECT NO. 2017B4
DATE DECEMBER 18, 2017
DRAWN BY JRD
CHECKED JRD
APPROVED JRD
REVISED

SHEET

SDP1.2