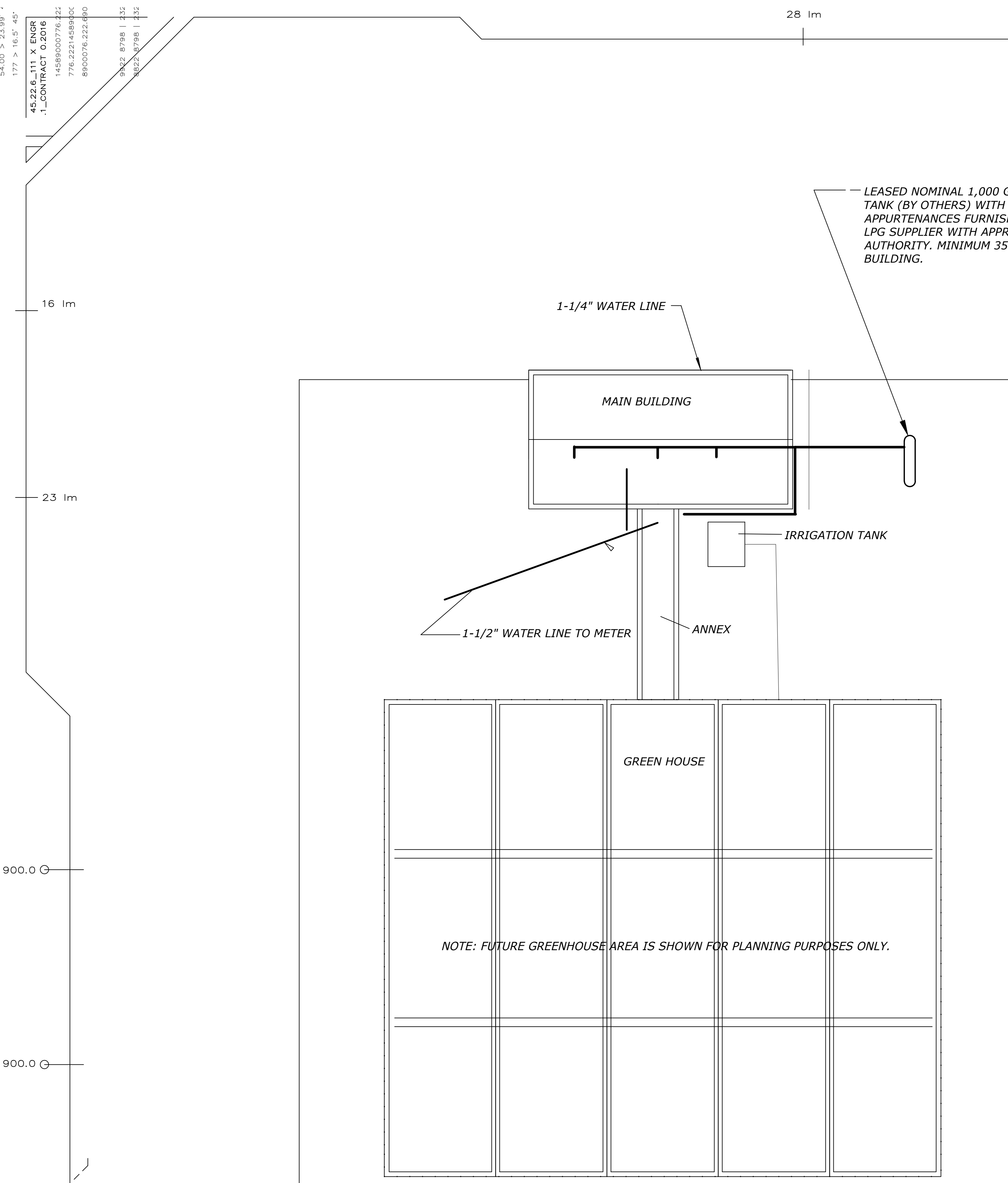
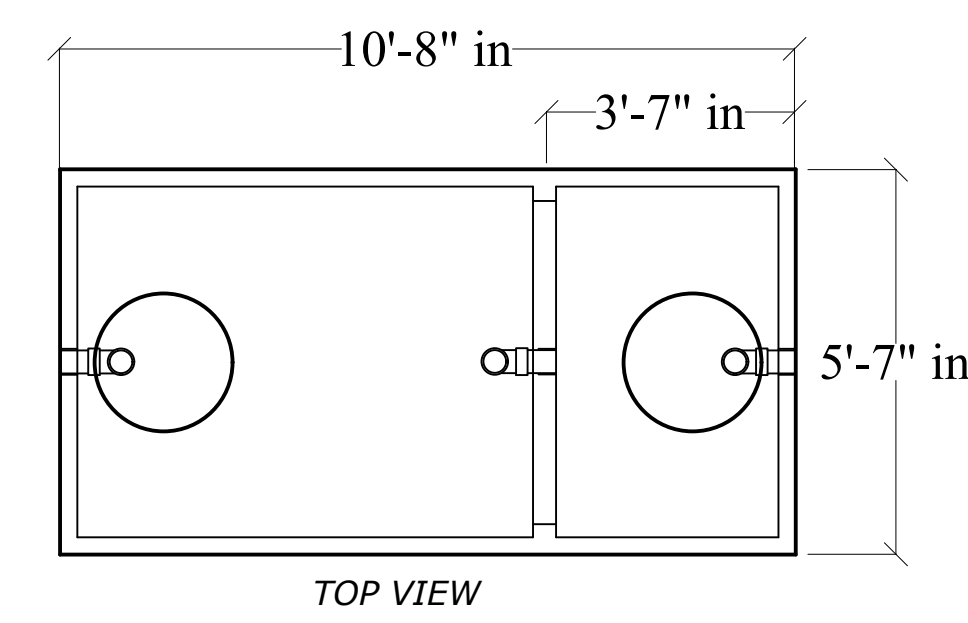
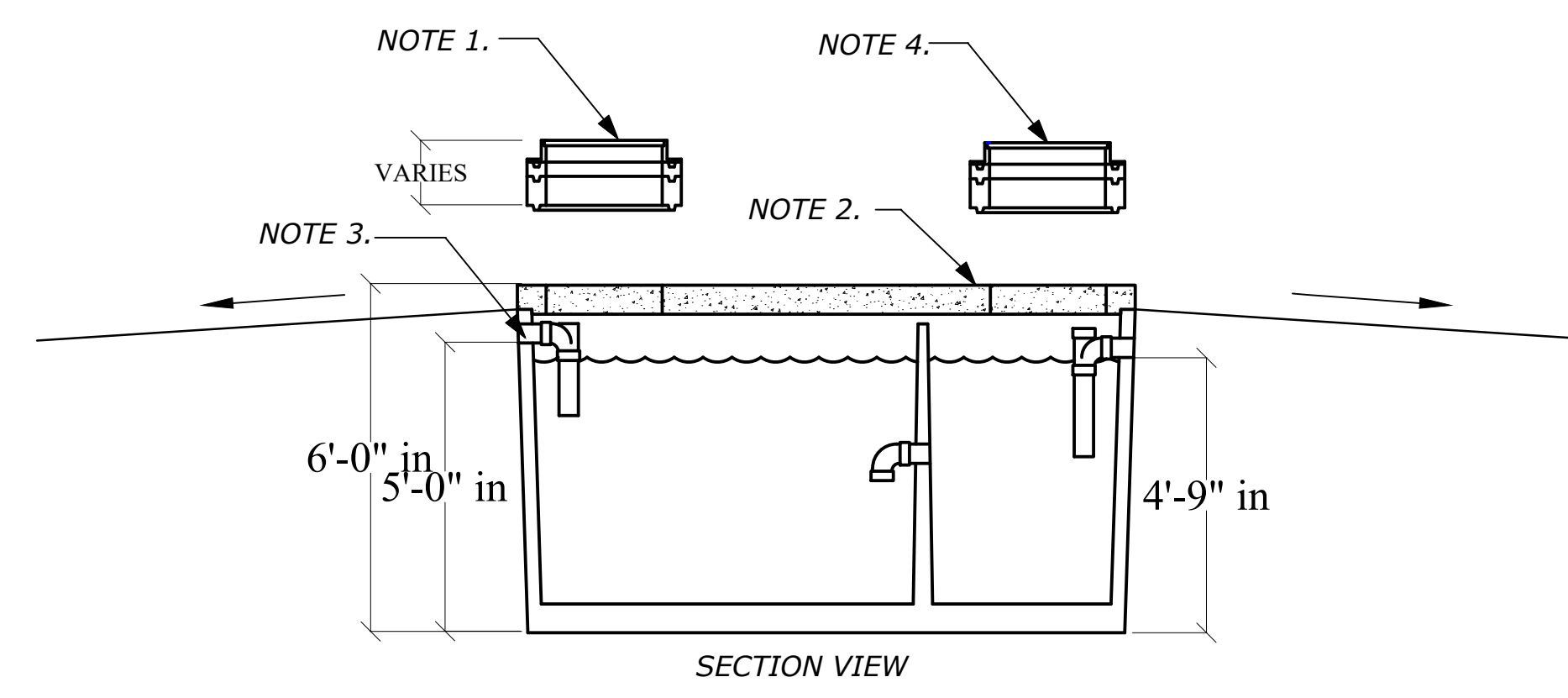


900 > 23.99' 45
 54.00 > 23.99' 4
 177 > 16.5' 45
 45.22.6.111 X ENGR
 1. CONTRACT 0.2016
 1458900776.222
 776.2221458900
 8900076.222.480
 9822.8798 | 432
 8222.8798 | 432



LEASED NOMINAL 1,000 GALLON LPG GAS TANK (BY OTHERS) WITH ALL APPURTENANCES FURNISHED BY LOCAL LPG SUPPLIER WITH APPROVAL BY LOCAL AUTHORITY. MINIMUM 35 FEET FROM BUILDING.

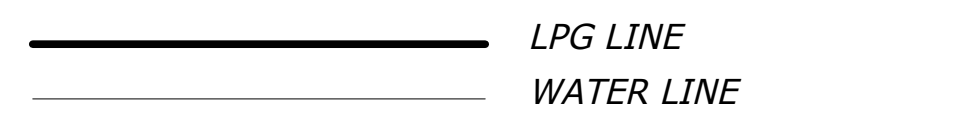


1500 GALLON
 COMMERCIAL NON POTTABLE WATER TANK
 USED FOR IRRIGATION TANK

NOTES:

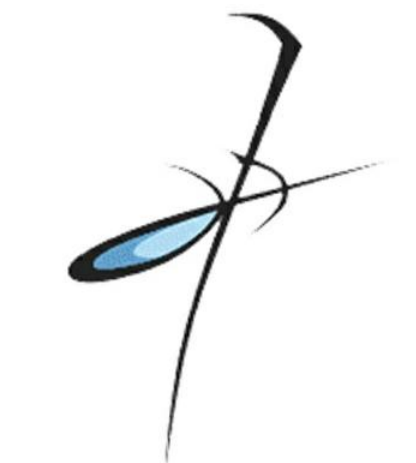
1. 24" CAST IRON FRAME & COVER WITH GASKET (GASTIGHT).
2. 24" DIA. CLEAR OPENING EACH END.
3. 4" INLET & OUTLET PVC PIPE AND FITTINGS.
4. EXTENSION RINGS AS REQUIRED.
5. LIQUID CAPACITY IS 1500 GALLONS.
6. BOX DESIGN LOAD IS FOR H-20 TRAFFIC FROM 1' TO 6' OF SOIL COVER, RATING ACCEPTED BY UPC.
7. MUST CONFORM TO ASTM C1227 FOR SEPTIC TANKS.
8. IRRIGATION TANK BURIED DEPTH IS A MINIMUM FOR GRAVITY DRAINAGE FROM GREENHOUSE SCAVAGING FIELD.
9. ENTRY IS INTO LARGE COMPARTMENT AND DISCHARGE IS FROM SMALL COMPARTMENT WITH PUMP INSTALLED IN THE SMALL COMPARTMENT.
10. IRRIGATION PUMP OPERATES AUTOMATCALLY BEGINING AT 5'-0" LEVEL, STOPPING AT 4'-0" LEVEL WITH SOLENOID DISCHARGE VALVES DELIVERING FLOW TO SANITARY TANK FIELD.
11. IRRIGATION TANK IS FILLED BY OPENING DOMESTIC WATER SOLENOID VALVE IF LEVEL FALLS BELOW 3'-0".

LEGEND:



1 PLUMBING SITE PLAN
 P2
 SCALE: 1" = 40'-0"

1 IRRIGATION TANK
 P2
 SCALE: N.T.S



AE LEUKEN, LLC
 ARCHITECTURAL ENGINEERS

1122 N. EL PASO ST
 COLORADO SPRINGS CO, 80903
 PHONE : (719) 398 1155

MILE HIGH ROSE LLC
 180 COUNTY RD 599
 WALSENBURG, CO 81089

NO.	DATE	DESCRIPTION

DATE:	05/15/2017
CHECKED BY:	JJG
PROJECT NO:	14-2017
SHEETPLUMBING SITE PLAN	

P2