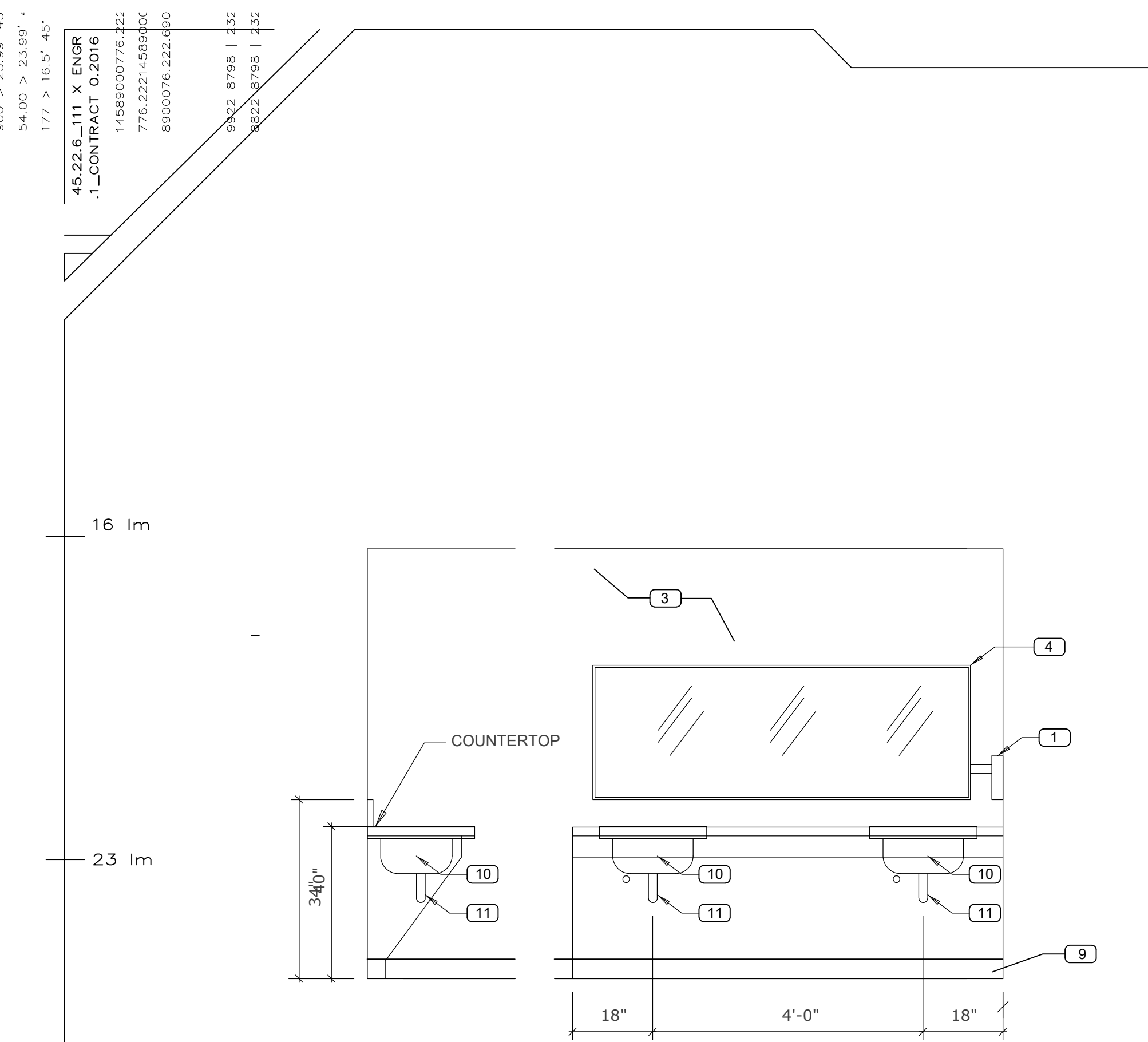
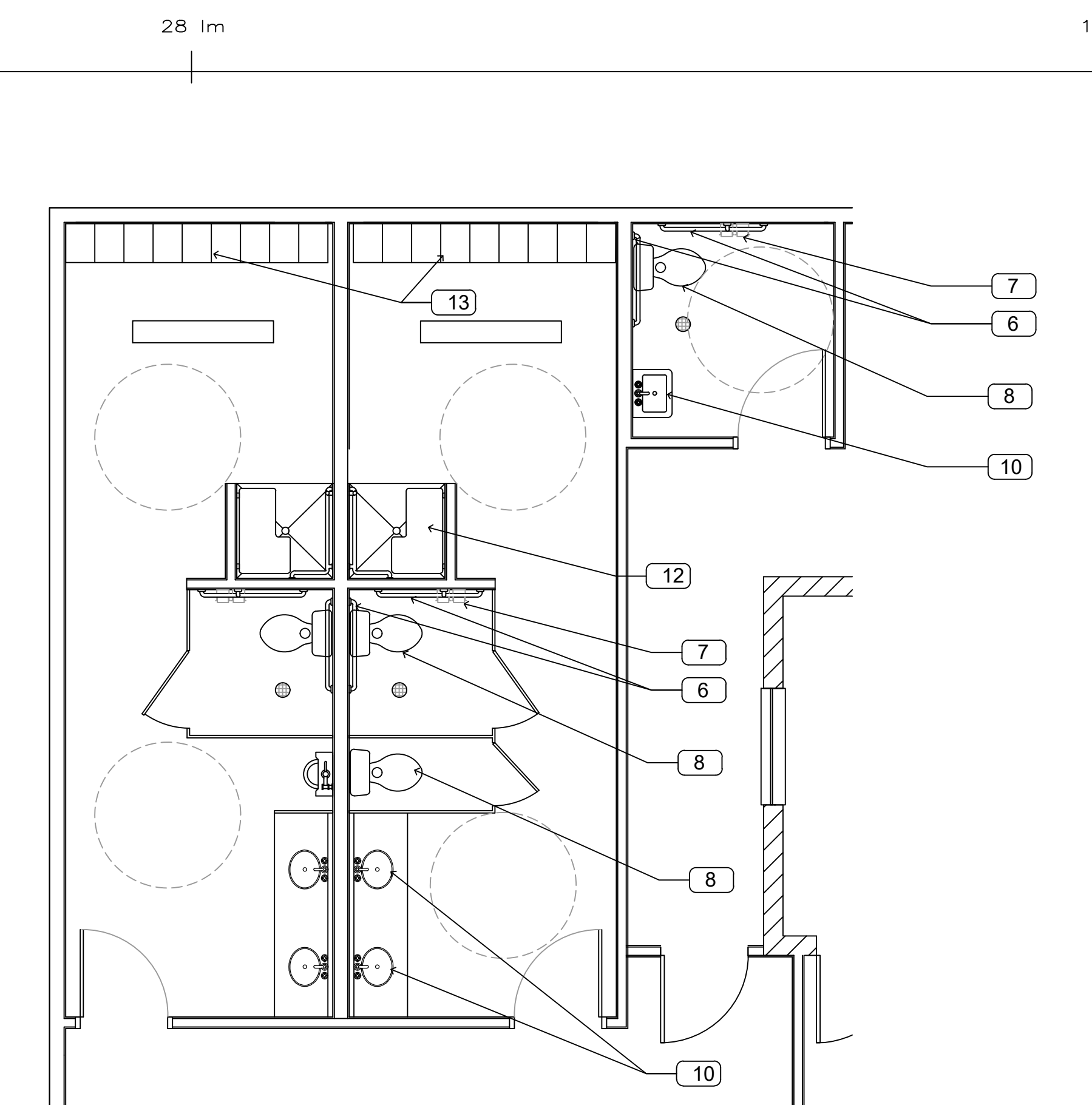


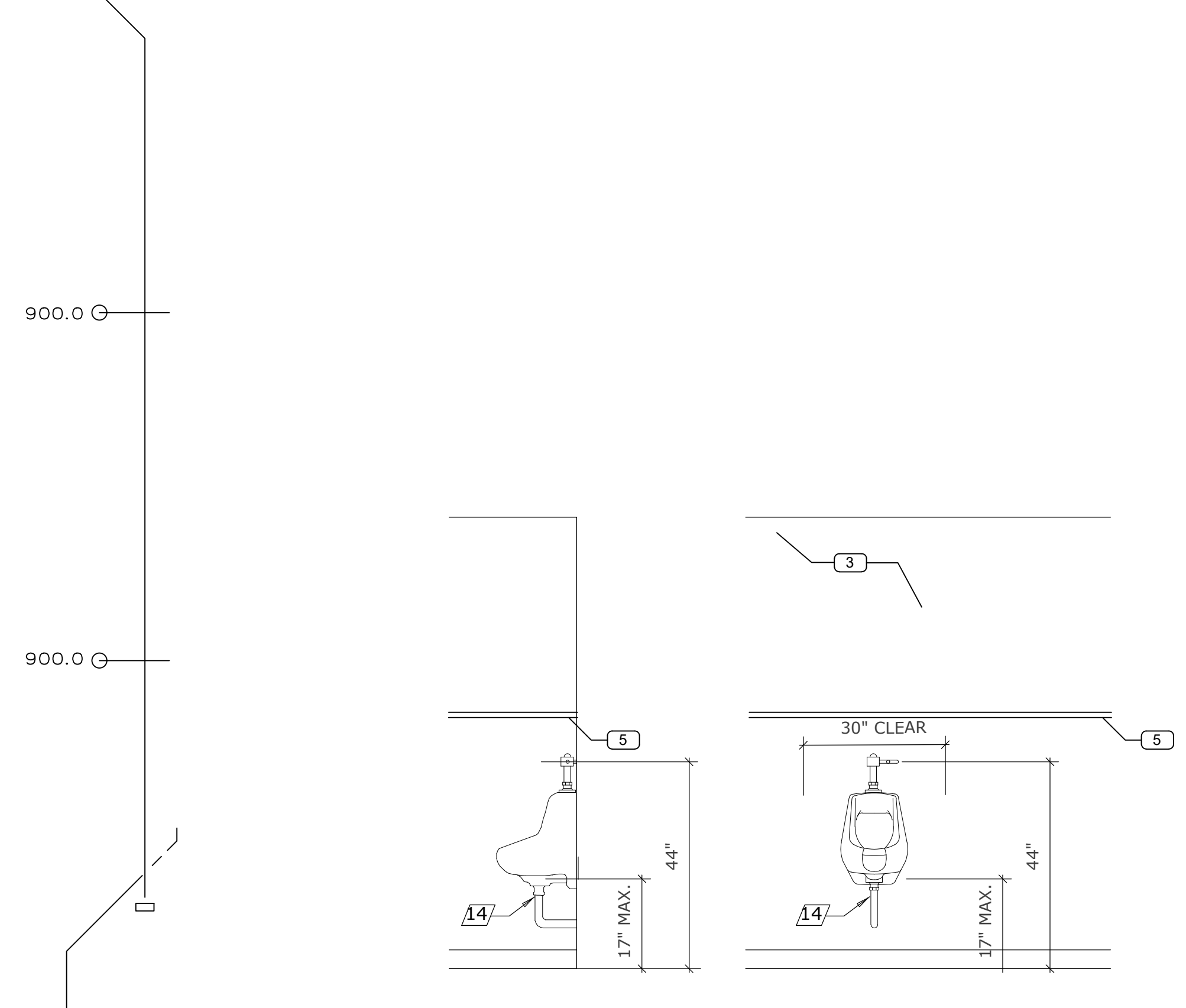
900 > 23.99' 45  
 54.00 > 23.99' 45  
 177 > 16.5' 45  
 45.22.6.111 X ENGR  
 1.-CONTRACT 0.2016  
 14589000776.222  
 776.22214589000  
 8900076.222.480  
 9822.8798 | 432  
 8222.8798 | 432



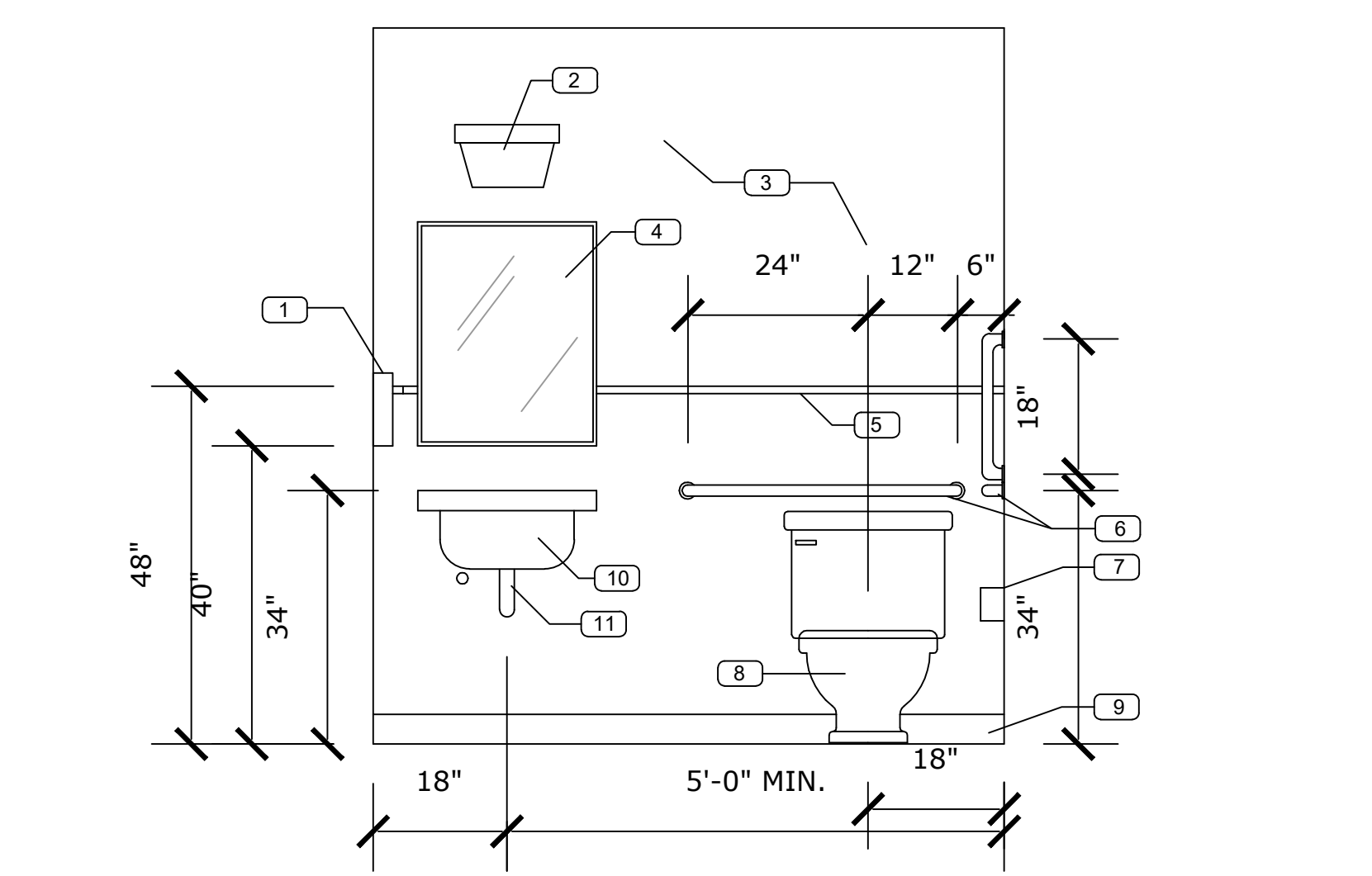
**5** ELEVATION DOUBLE SINKS  
 A9 - SCALE: 1/2" = 1'-0"



**4** ENLARGED PLAN  
 A9 - SCALE: 1" = 1'-0"



**3** ELEVATION URINAL  
 A9 - SCALE: 1/2" = 1'-0"



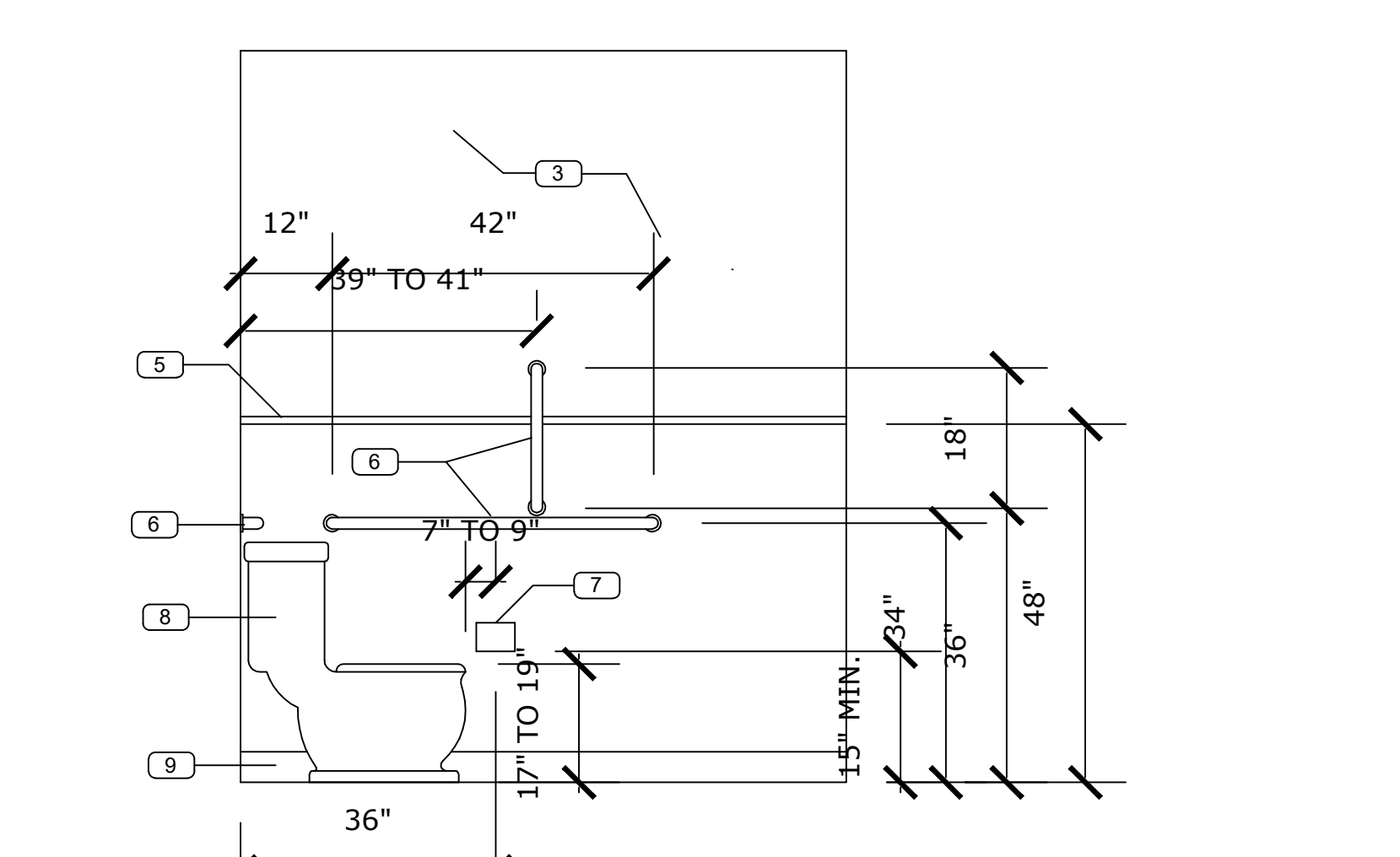
**2** ELEVATION "A" RESTROOM  
 A9 - TYPICAL SECTION  
 SCALE: 1/2" = 1'-0"

**SHEET NOTES:**

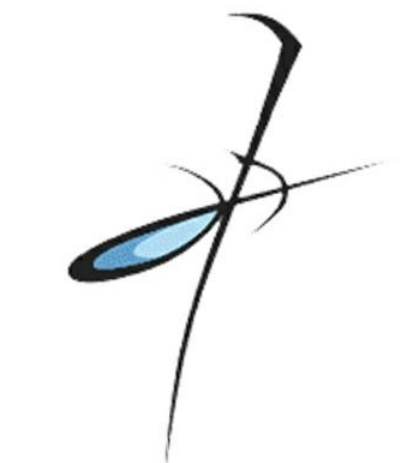
1. TOILET ROOM PLAN AND ELEVATIONS ILLUSTRATED ABOVE ILLUSTRATED FIXTURE CLEARANCE, DIMENSIONS MOUNTING HEIGHTS, & ACCESSORY PLACEMENT. ACTUAL LAYOUT MAY VARY. SEE FLOOR PLAN FOR CORRECT LAYOUT.
2. LOWER EDGES OF LAVATORY 2'-5" FROM FINISH FLOOR.
3. MIRROR MINIMUM 2'-6" MAXIMUM 3'-4" ABOVE FINISHED FLOOR.
4. GRAB BARS 1-1/4" DIA. TO 1-1/2" DIA. MOUNTED 1-1/2" FROM WALL. BARS SHALL BE CAPABLE OF SUPPORTING 300 LBS. LIVE LOAD WITHOUT PERMANENT DEFLECTION.
5. LAVATORY RIM HEIGHT 33" -34" ABOVE FINISH FLOOR.
6. LAVATORY TO HAVE LEVER HANDLE LOCATED NO MORE THAN 17" FROM EDGE.
7. FLOORS SHALL BE SMOOTH, HARD NON-ABSORBENT SURFACE OR OTHER AS ACCEPTABLE BY LOCAL HEALTH AND BUILDING DEPT.
8. DIMENSIONS, NOTES, AND EQUIPMENT TYPICAL FOR ALL TOILET ROOMS UNLESS OTHERWISE NOTED.
9. SEE ROOM FINISH SCHEDULE FOR TOILET ROOM FINISH.
10. TOILET ROOM FAN TO BE INTEGRALLY SWITCHED WITH TOILET LIGHT AND VENTED TO THE OUTSIDE.
11. GYPSUM BOARD APPLIED TO PLUMBING WALLS SHALL BE WATER RESISTANT.
12. TOILET FLUSH VALVE TO BE ON OPEN SIDE OF TANK.

**KEY NOTES:**

- 1 PAPER TOWEL DISPENSER
- 2 WALL MOUNTED LIGHT FIXTURE. SEE SCHEDULE FOR SIZE & TYPE.
- 3 GYP. BRD. - PAINT PER ROOM FINISH SCHEDULE.
- 4 42"X36" MIRROR, MOUNTED PER ADA REQUIREMENTS.
- 5 F.R.P. WAINSCOT. SEE ROOM FINISH SCHEDULE.
- 6 GRAB BARS PER ADA REQUIREMENTS.
- 7 TOILET PAPER DISPENSER.
- 8 ADA ACCESSIBLE TOILET.
- 9 6" VINYL BASE. SEE ROOM FINISH SCHEDULE.
- 10 ADA ACCESSIBLE LAVATORY.
- 11 PIPING TYPE AND CLEARANCE TO COMPLY W/ ADA REQUIREMENTS. INSULATE EXPOSED SUPPLY AND DRAIN LINES.
- 12 ADA ACCESSIBLE SHOWER.
- 13 LOCKERS AND BENCH BY OTHERS.
- 14 ADA ACCESSIBLE URINAL.



**1** ELEVATION "A" RESTROOM  
 A9 - TYPICAL SECTION  
 SCALE: 1/2" = 1'-0"



**AE LEUKEN, LLC**  
 ARCHITECTURAL ENGINEERS  
 1122 N. EL PASO ST  
 COLORADO SPRINGS CO, 80903  
 PHONE : (719) 398 1155

**MILE HIGH ROSE LLC**  
 180 COUNTY RD 599  
 WALSENBURG, CO 81089

NO.	DATE	DESCRIPTION

DATE: 05/15/2017  
 CHECKED BY: JJG  
 PROJECT NO: 14-2017  
 SHEET: MISC DETAILS

**A9**