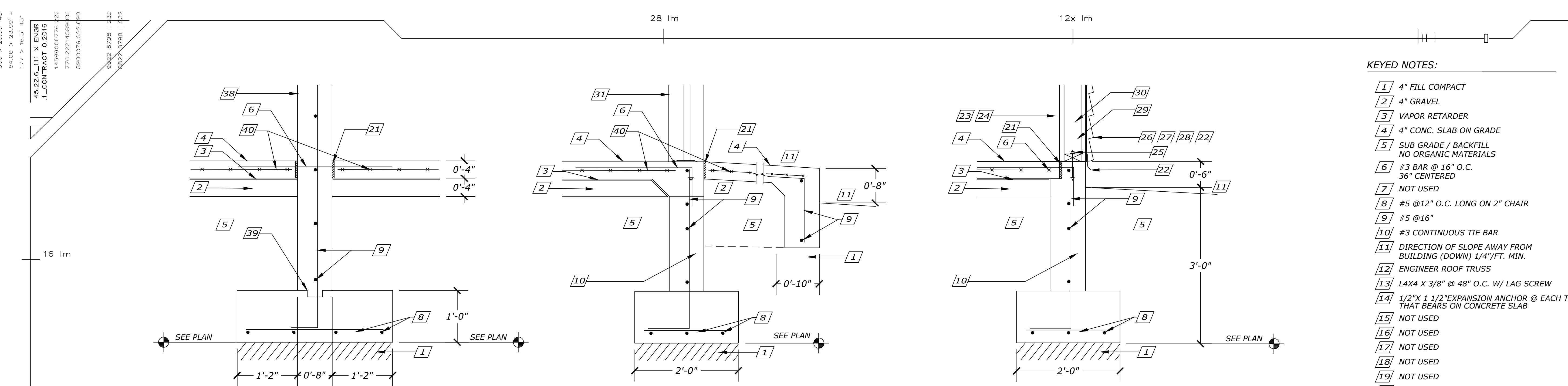


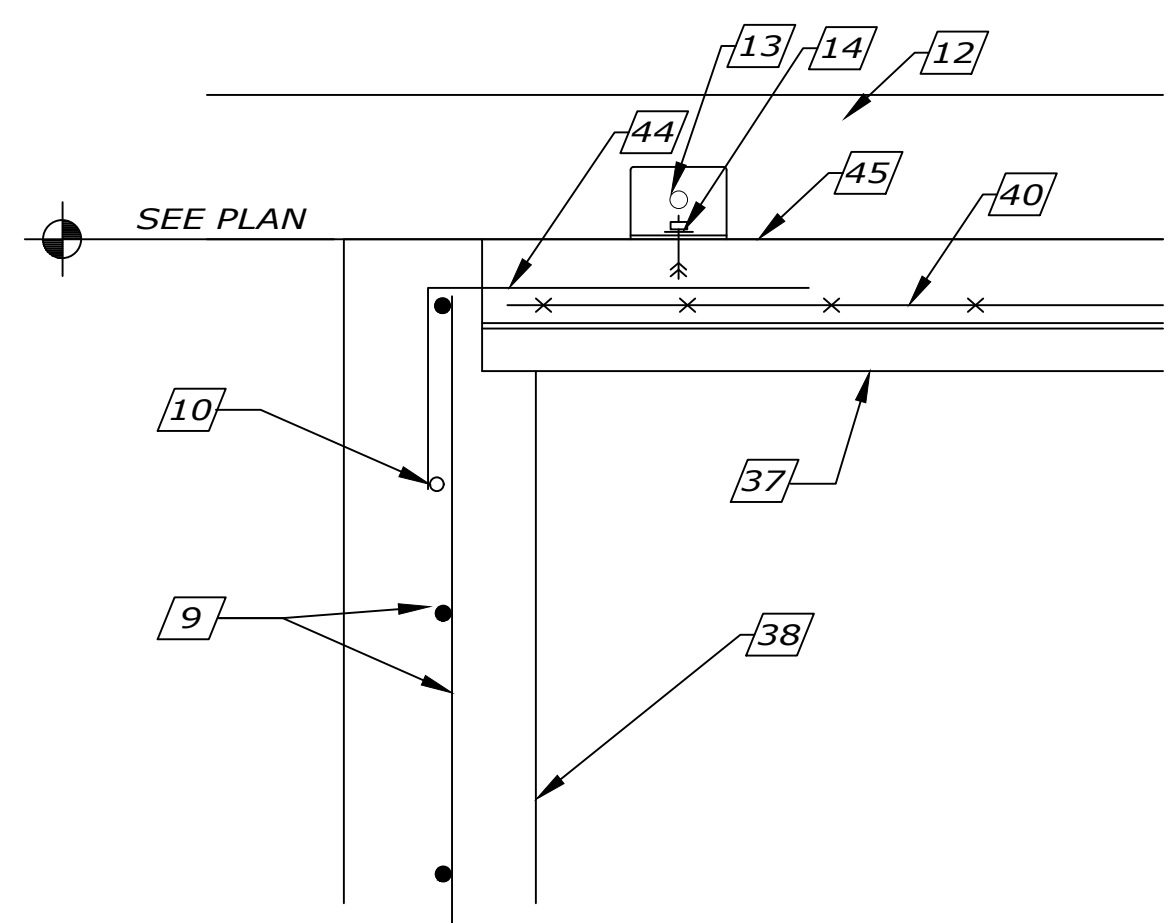
900 > 23.99' 45"
 54.00 > 23.99' 45"
 177 > 16.5' 45"
 45.22.6.111 X ENGR
 1. CONTRACT 0.2016
 14589000776.222
 776.22214589000
 8900076.222.480
 9823.8798 | 435
 8228.8798 | 432



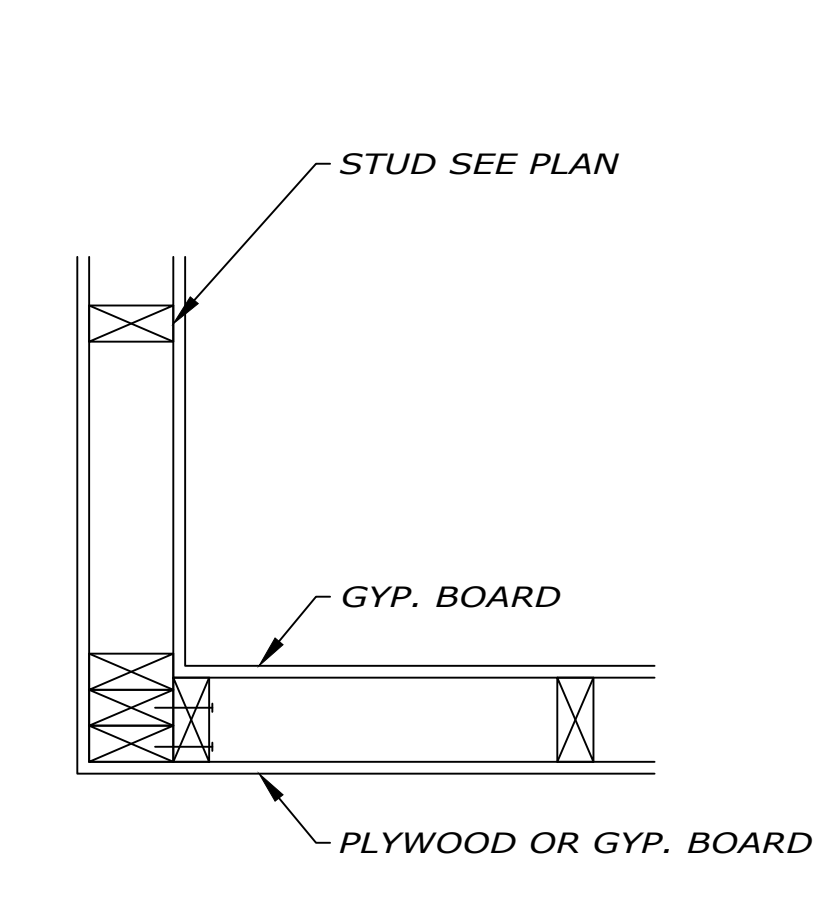
10 INTERIOR WALL FOUNDATION
 A7 - SCALE: 1" = 1'-0"

9 CONC STOOP AT ENTRY
 A7 - SCALE: 1" = 1'-0"

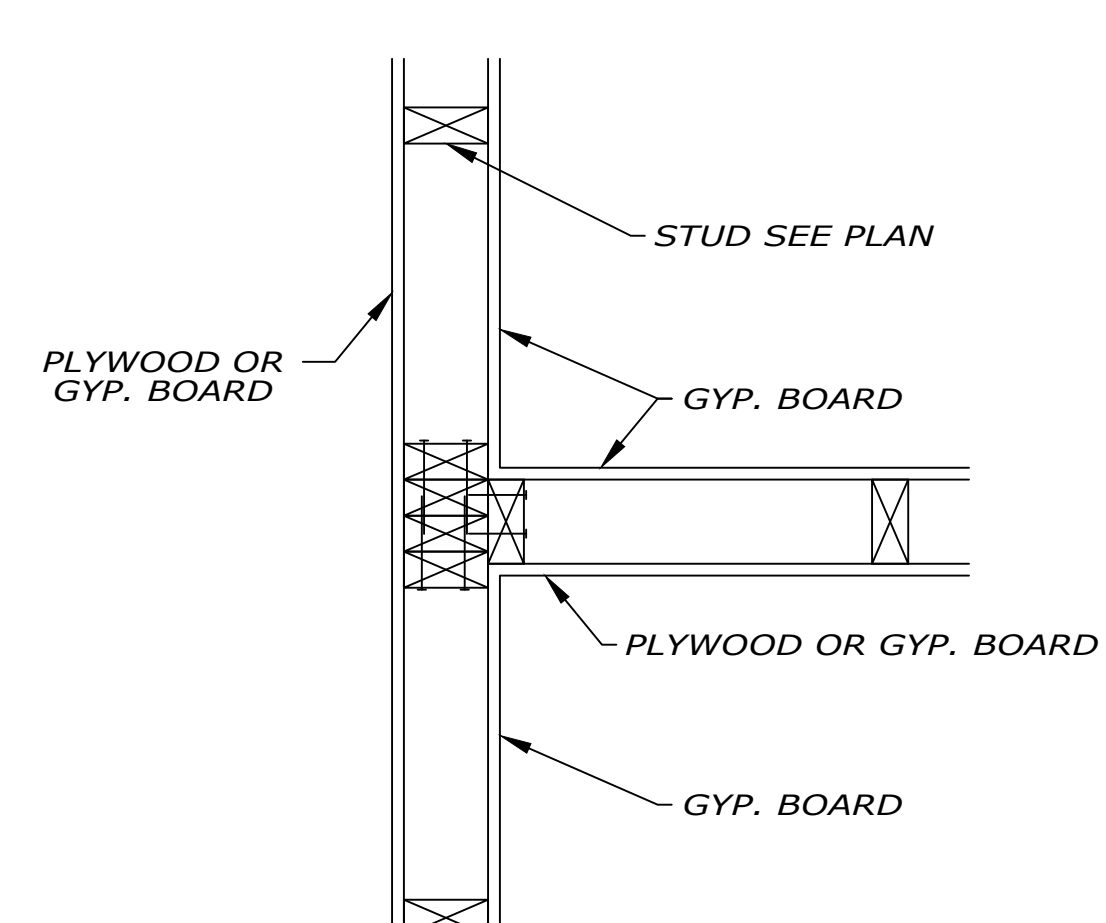
8 PERIMETER FOOTING DETAIL
 A7 - SCALE: 1" = 1'-0"



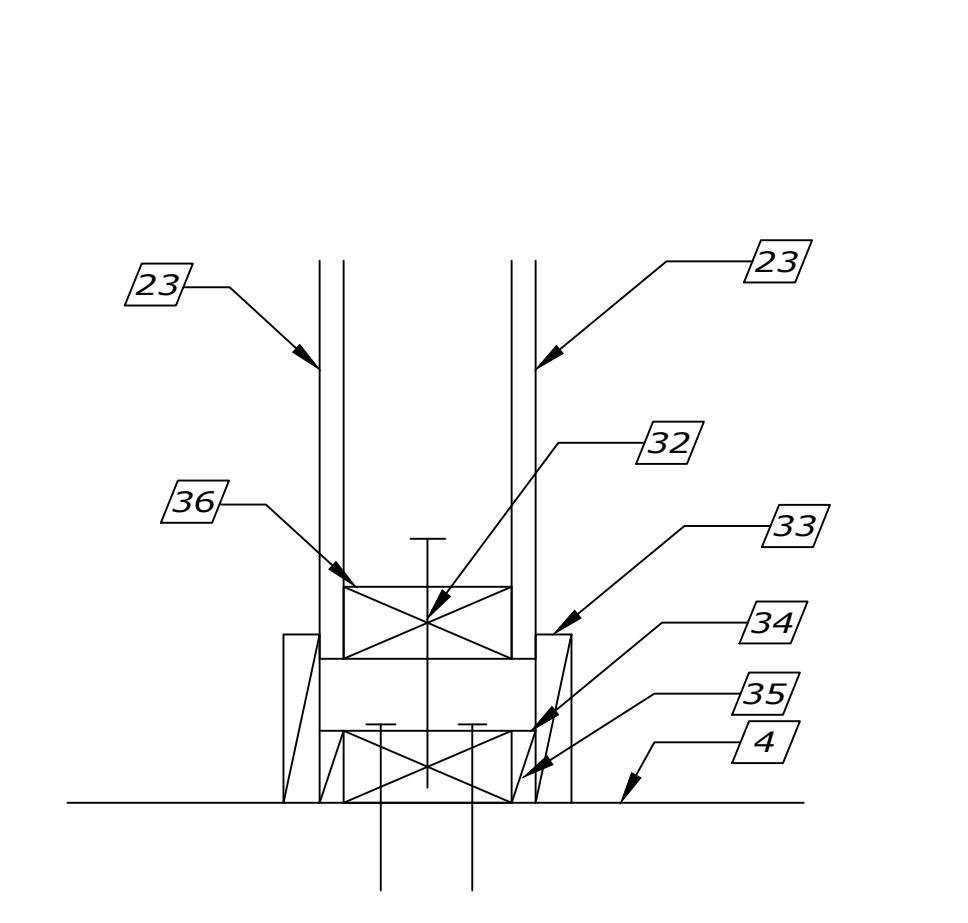
7 CONC. WALL TO CONC. CEILING
 A7 - SCALE: 1-1/2" = 1'-0"



6 STUD WALL CORNER
 A7 - SCALE: 1-1/2" = 1'-0"

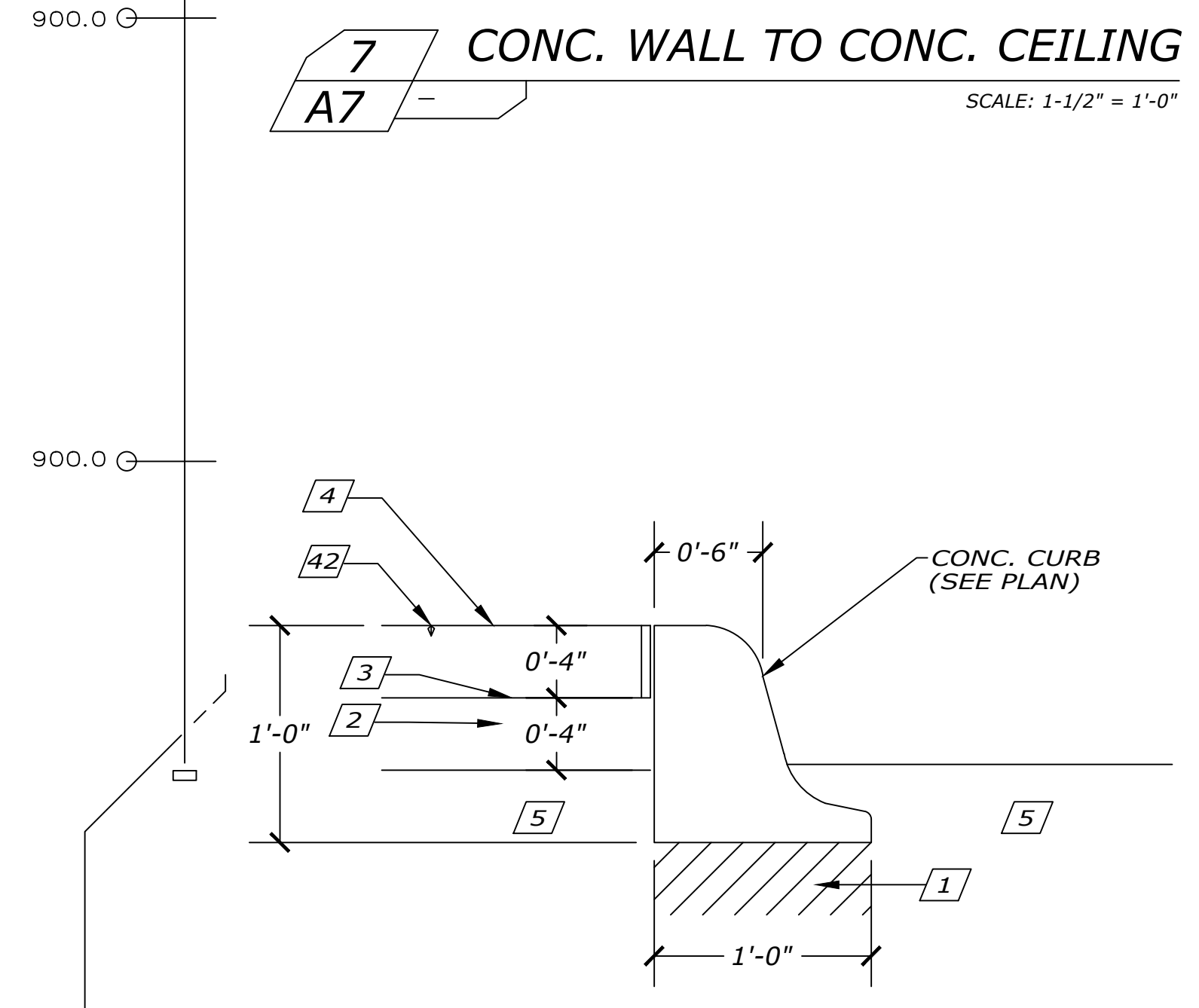


5 STUD WALL INTERSECT
 A7 - SCALE: 1-1/2" = 1'-0"

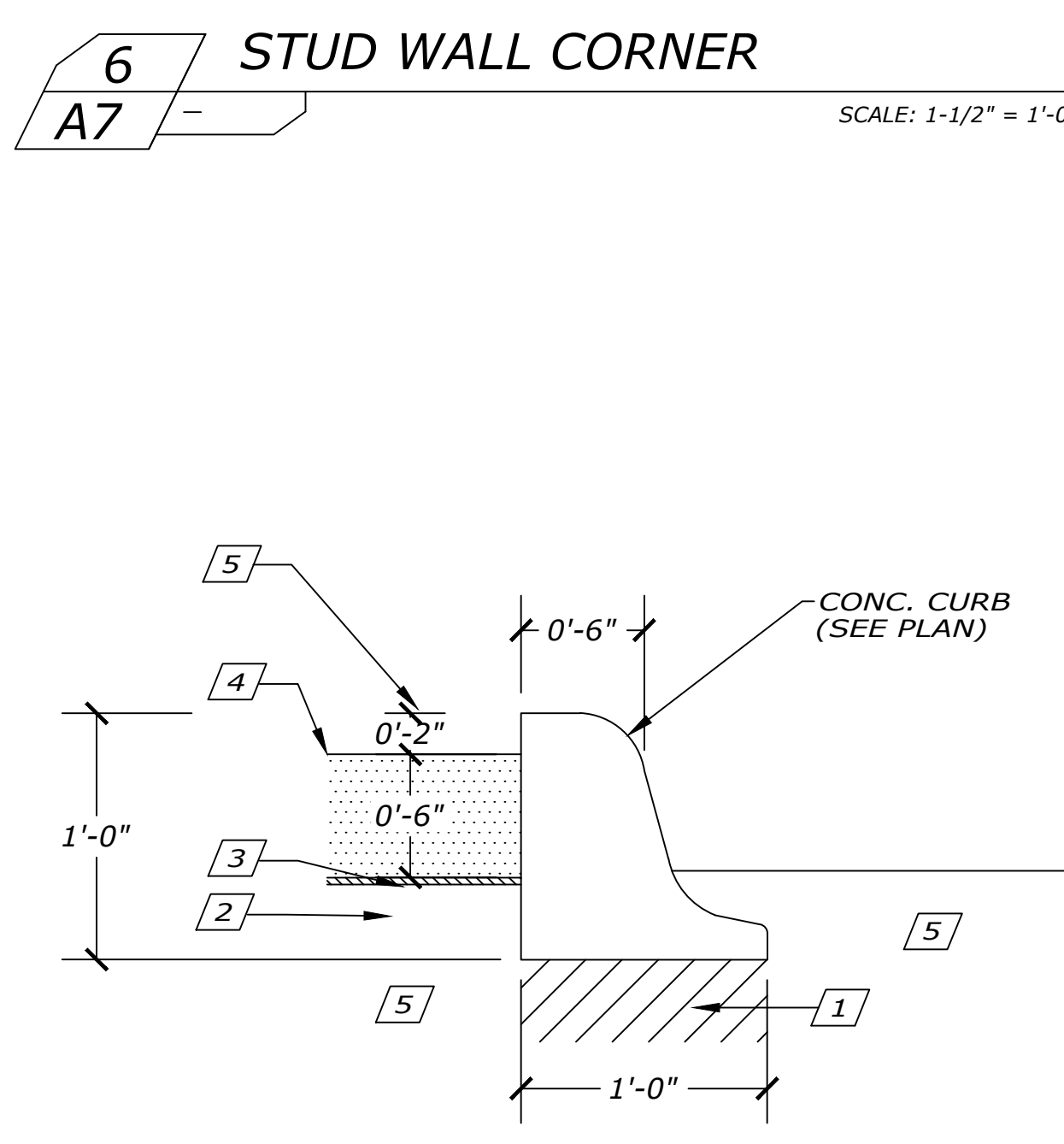


4 FLOATING WALL
 A7 - SCALE: 3" = 1'-0"

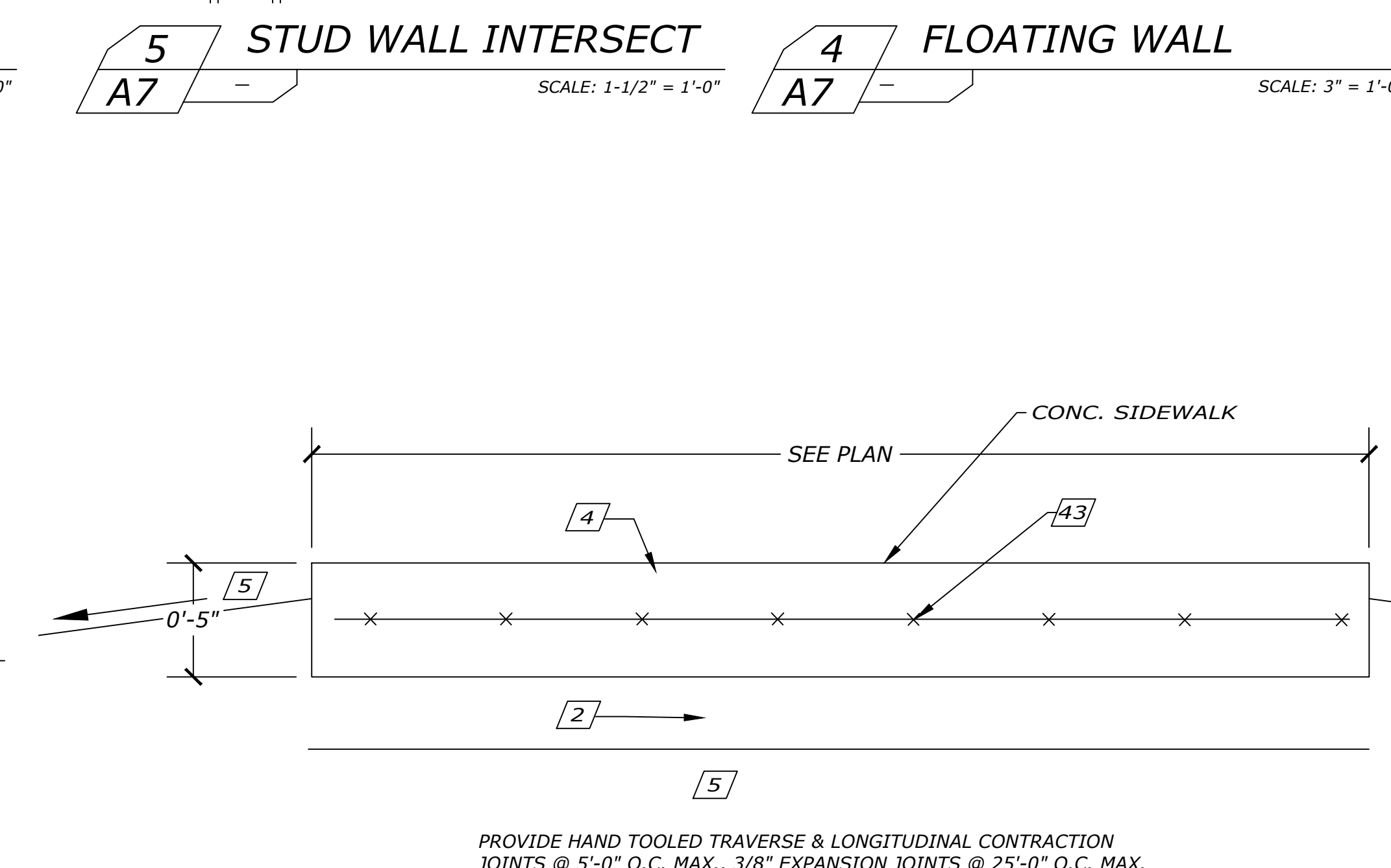
- KEYED NOTES:**
- 1 4" FILL COMPACT
 - 2 4" GRAVEL
 - 3 VAPOR RETARDER
 - 4 4" CONC. SLAB ON GRADE
 - 5 SUB GRADE / BACKFILL NO ORGANIC MATERIALS
 - 6 #3 BAR @ 16" O.C. 36" CENTERED
 - 7 NOT USED
 - 8 #5 @12" O.C. LONG ON 2" CHAIR
 - 9 #5 @16"
 - 10 #3 CONTINUOUS TIE BAR
 - 11 DIRECTION OF SLOPE AWAY FROM BUILDING (DOWN) 1/4"/FT. MIN.
 - 12 ENGINEER ROOF TRUSS
 - 13 L4X4 X 3/8" @ 48" O.C. W/ LAG SCREW
 - 14 1/2"X 1 1/2"EXPANSION ANCHOR @ EACH TRUSS THAT BEARS ON CONCRETE SLAB
 - 15 NOT USED
 - 16 NOT USED
 - 17 NOT USED
 - 18 NOT USED
 - 19 NOT USED
 - 20 NOT USED
 - 21 1/2" EXPANSION MATERIAL (FELT)
 - 22 GALVANIZED METAL FLASHING
 - 23 5/8" GYPBOARD
 - 24 2X FURRING
 - 25 1/2" DIA. x 7" EMBED ASTM A307, A325 ANCHOR THREADED ROD W/ NUT WASHER EA END: 2X BASE RATE TO CONC. WALL
 - 26 4" LAP SIDING
 - 27 WEATHER BARRIER 17 MILL MIN.
 - 28 7/16" OSB SHEATHING
 - 29 R-23 BATT INSULATION
 - 30 2X6 STUD WALL ASSEMBLY
 - 31 DOOR JAMB, DOOR, THRESHOLD
 - 32 DRILL 3/8" HOLE IN BASE PLATE AND SECURE WALL W/ 40d NAILS @24" O.C. MIN.
 - 33 3-1/2" BASE MOLDING SECURED TO NAILING STRIP ONLY
 - 34 PRESSURE TREATED BASE PLATE SECURED W/ 3" CONC. NAILS
 - 35 1/2" NAILING STRIP
 - 36 2X4 (3.5") CENTERED ON BASE PLATE
 - 37 2" METAL DECK, 18 GA COMPOSITE DECK W/ LIGHT WT. CONCRETE
 - 38 8" CONC. WALL
 - 39 1-1/2" KEY
 - 40 WWF 6X6 #8 GA
 - 41 NOT USED
 - 42 CONTROL JOINT
 - 43 6X6-W1.4XW1.4 WWF REINF. AT PAVEMENT MID-DEPTH
 - 44 #5 BENT @28" HORIZONTAL, 12" VERTICAL
 - 45 5" CONC. CEILING, DECK SPAN SHORT DIRECTION



3 CURB @ SIDEWALK
 A7 - SCALE: 1-1/2" = 1'-0"



2 CURB @ GRASS
 A7 - SCALE: 1-1/2" = 1'-0"



1 CONC. WALK
 A7 - SCALE: 1" = 1'-0"

PROVIDE HAND TOOLED TRAVERSE & LONGITUDINAL CONTRACTION JOINTS @ 5'-0" O.C. MAX., 3/8" EXPANSION JOINTS @ 25'-0" O.C. MAX.

AE LEUKEN, LLC
 ARCHITECTURAL ENGINEERS
 1122 N. EL PASO ST
 COLORADO SPRINGS CO, 80903
 PHONE : (719) 398 1155

MILE HIGH ROSE LLC
 180 COUNTY RD 599
 WALSENBURG, CO 81089

NO.	DATE	DESCRIPTION

DATE: 05/15/2017
 CHECKED BY: JJG
 PROJECT NO: 14-2017
 SHEET: DETAILS

A7