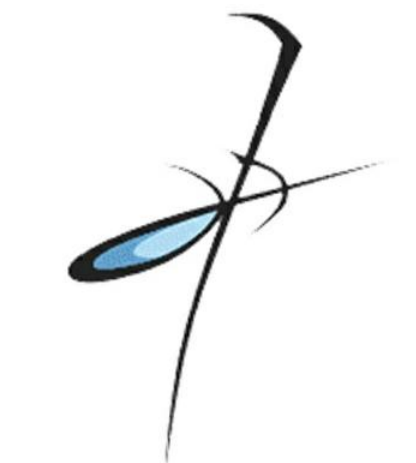
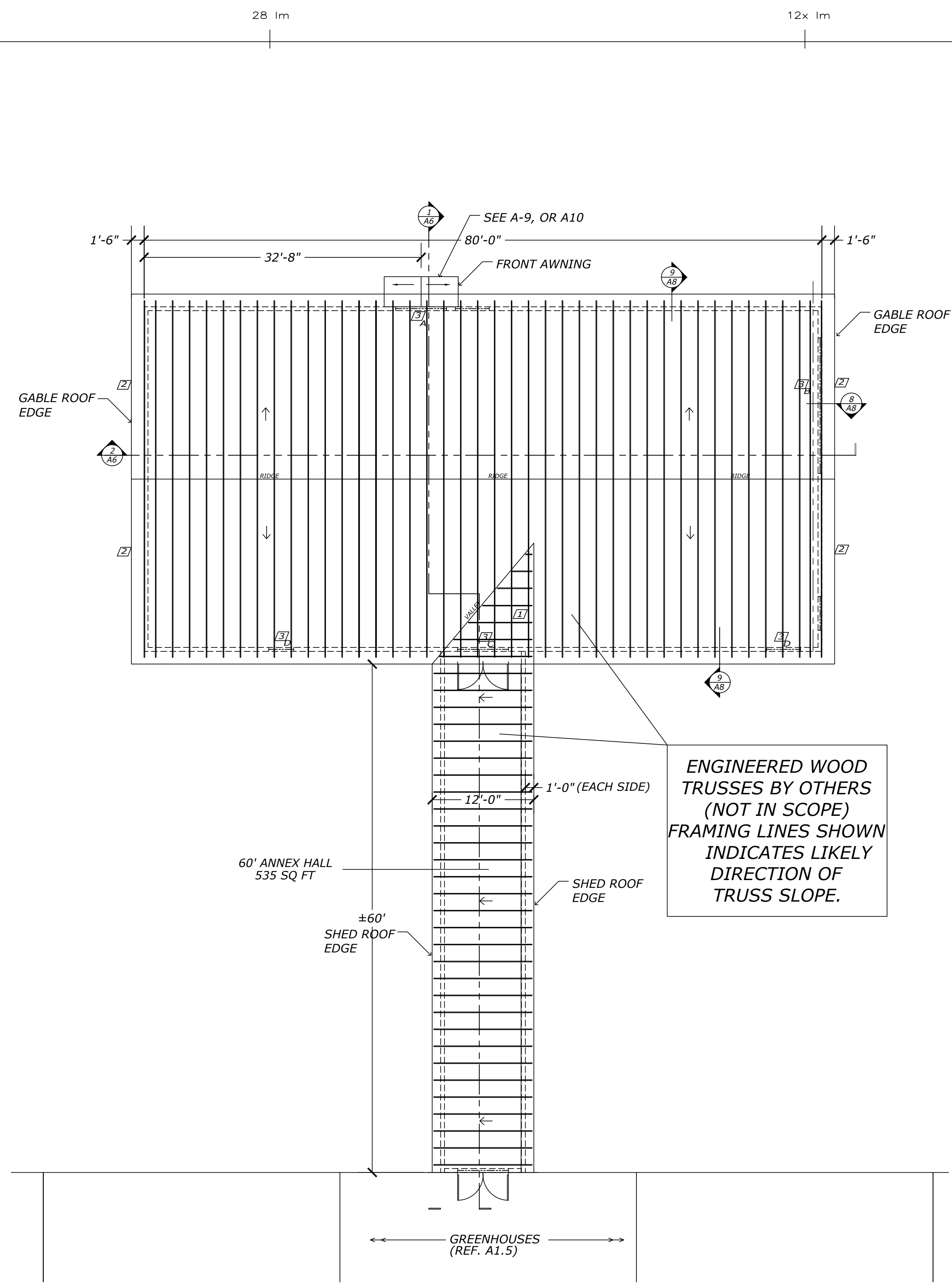


900 > 23.99' 45
 54.00 > 23.99' 45
 177 > 16.5' 45
 45.22.6_111 X ENGR
 1._CONTRACT 0.2016
 14589000776.221
 776.22214589000
 8900076.222.480
 9822.8798 | 432
 8222.8798 | 432



AE LEUKEN, LLC
 ARCHITECTURAL ENGINEERS
 1122 N. EL PASO ST
 COLORADO SPRINGS CO, 80903
 PHONE : (719) 398 1155

MILE HIGH ROSE LLC
 180 COUNTY RD 599
 WALSENBURG, CO 81089



GENERAL NOTES:

A. FIELD VERIFY EXISTING CONDITIONS

KEYED NOTES:

- [1] OVER-FRAMING LIKELY THIS AREA
- [2] GABLE END
- [3] REF. HEADER SCHEDULE THIS SHEET, MARK 'A'

HEADER SCHEDULE	
MARK	STRUCTURAL MEMBER(S)
A	2 - 2X8 VERTICAL
B	3 - 2X12 VERTICAL
C	2 - 2X8 VERTICAL
D	2 - 2X6 VERTICAL

ENGINEERED WOOD TRUSSES BY OTHERS (NOT IN SCOPE) FRAMING LINES SHOWN INDICATES LIKELY DIRECTION OF TRUSS SLOPE.

1
A3 ROOF PLAN

SCALE: 1/8" = 1'-0" N

NO.	DATE	DESCRIPTION

DATE: 05/15/2017
 CHECKED BY: JJG
 PROJECT NO: 14-2017
 SHEET: ROOF PLAN

A3