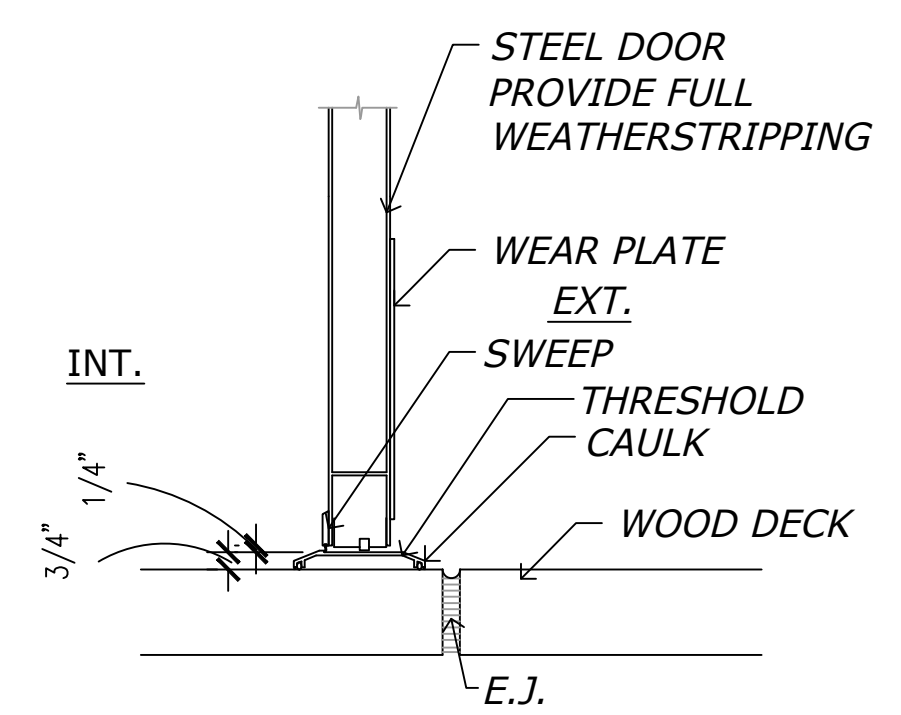
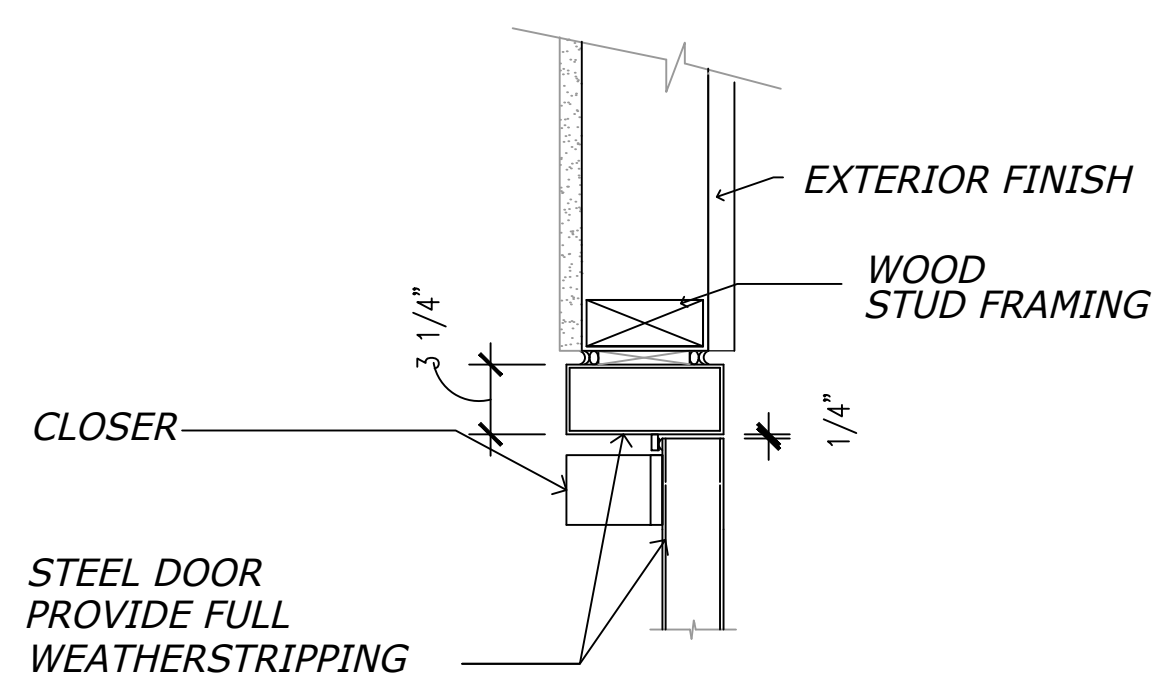


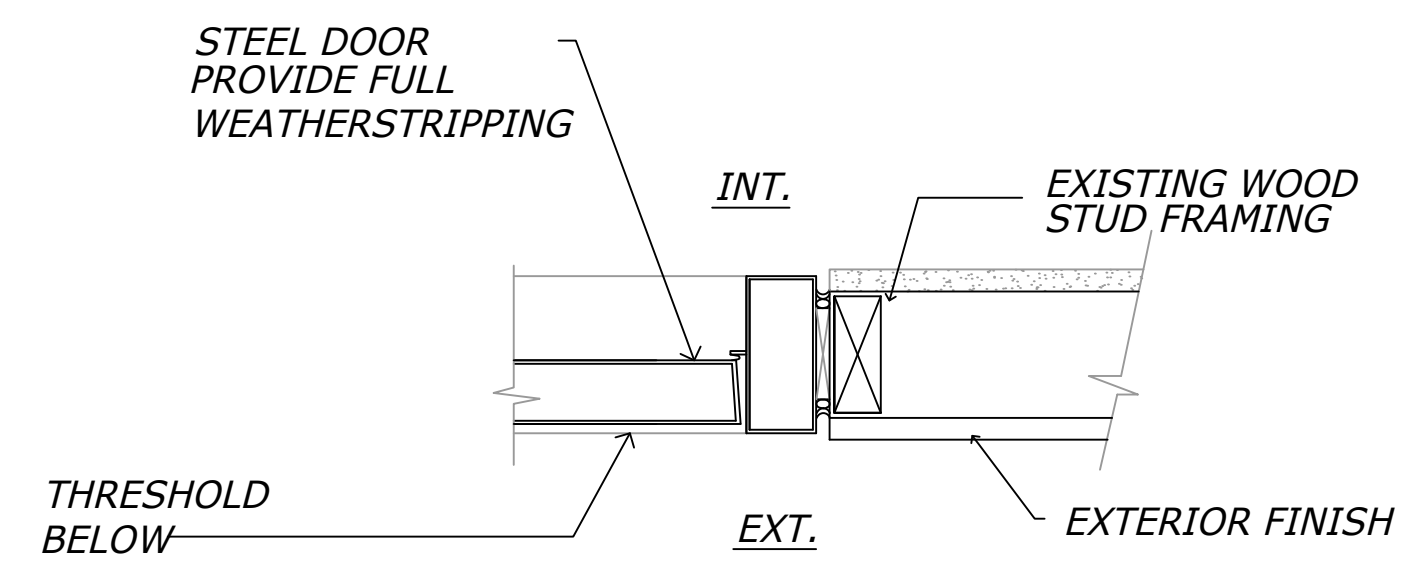
900 > 23.99' 45
 54.00 > 23.99' 45
 177 > 16.5' 45
 45.22.6.111 X ENGR
 1. CONTRACT 0.2016
 14588000776.222
 776.22214989400
 8900076.222.480
 9822.8798 | 432
 8222.8798 | 432
 16
 23
 900.0
 900.0
 45°



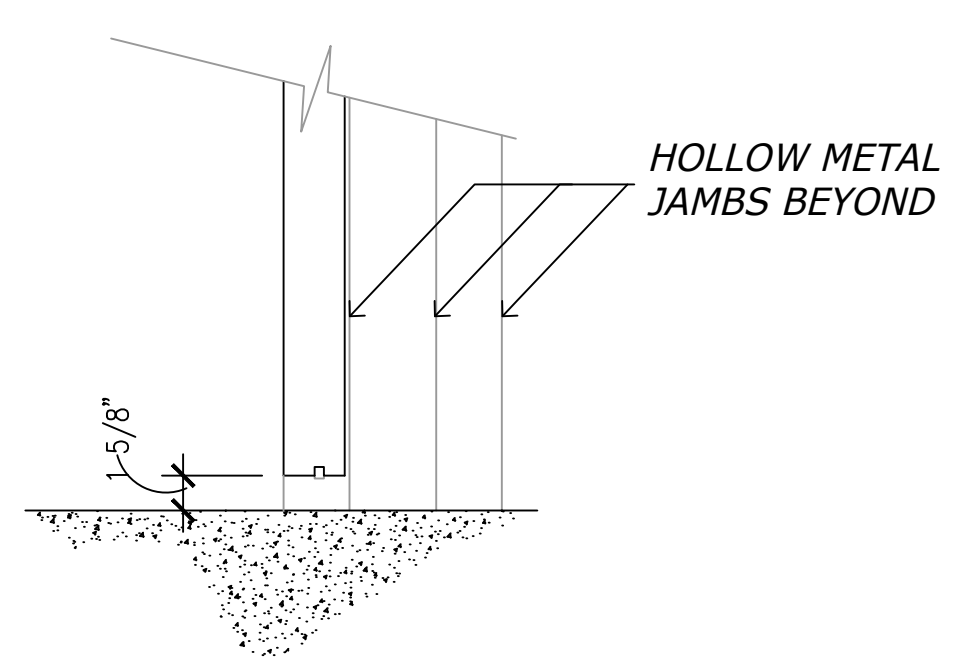
9 SILL DETAIL
A11 AT FRAME WALL
 1 1/2"=1'-0"



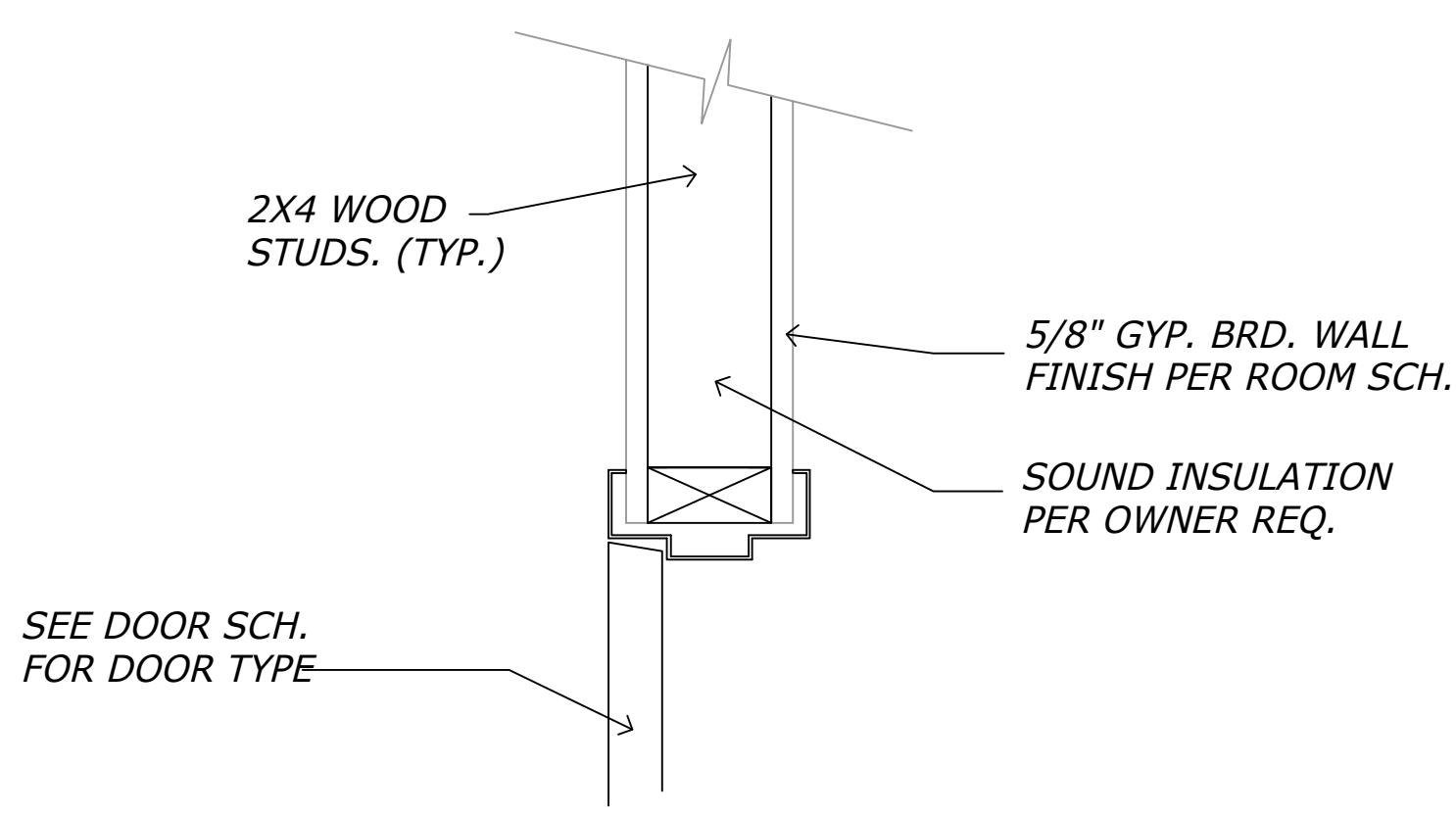
8 HEAD DETAIL
A11 AT FRAME WALL
 1 1/2"=1'-0"



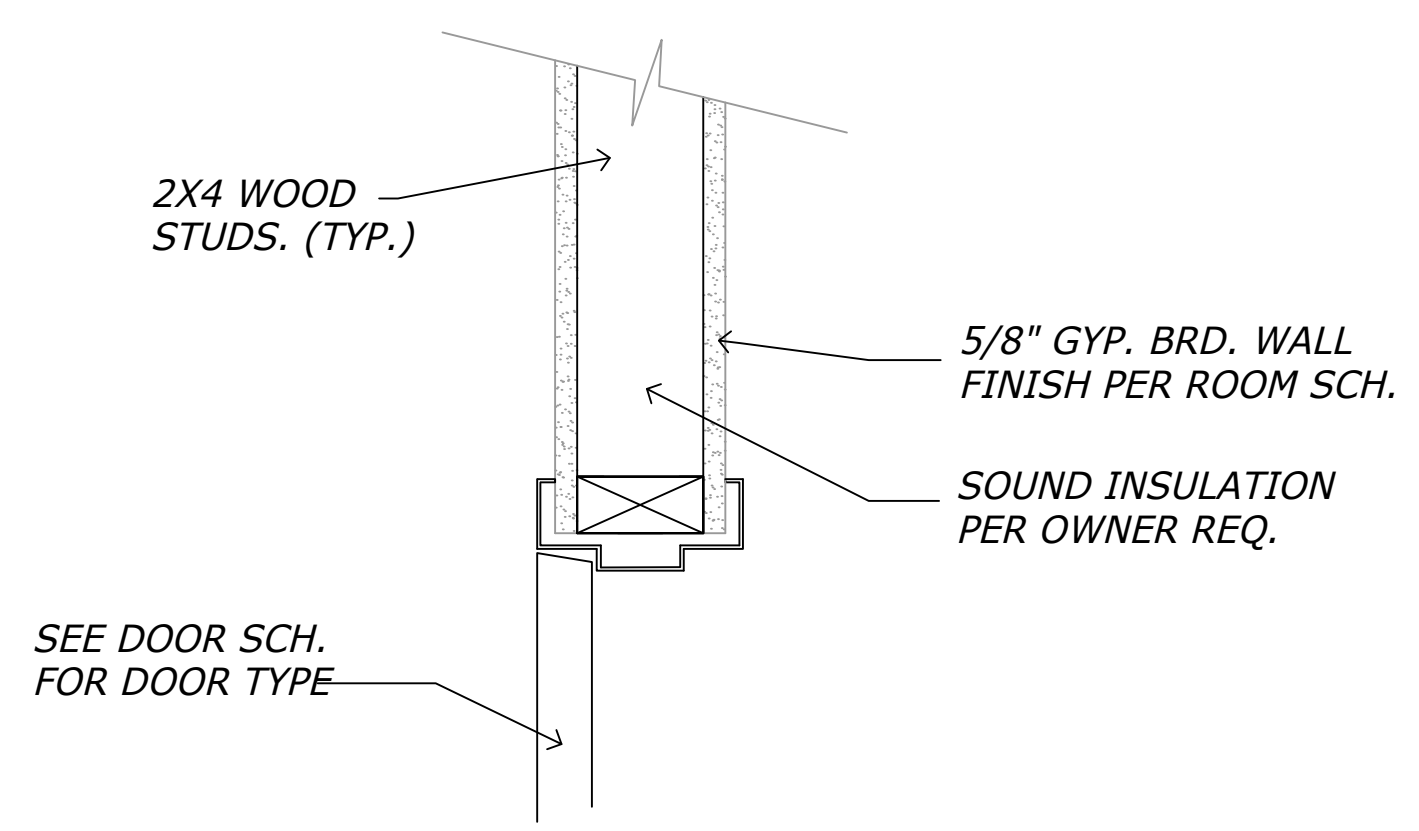
7 JAMB DETAIL
A11 AT FRAME WALL
 1 1/2"=1'-0"



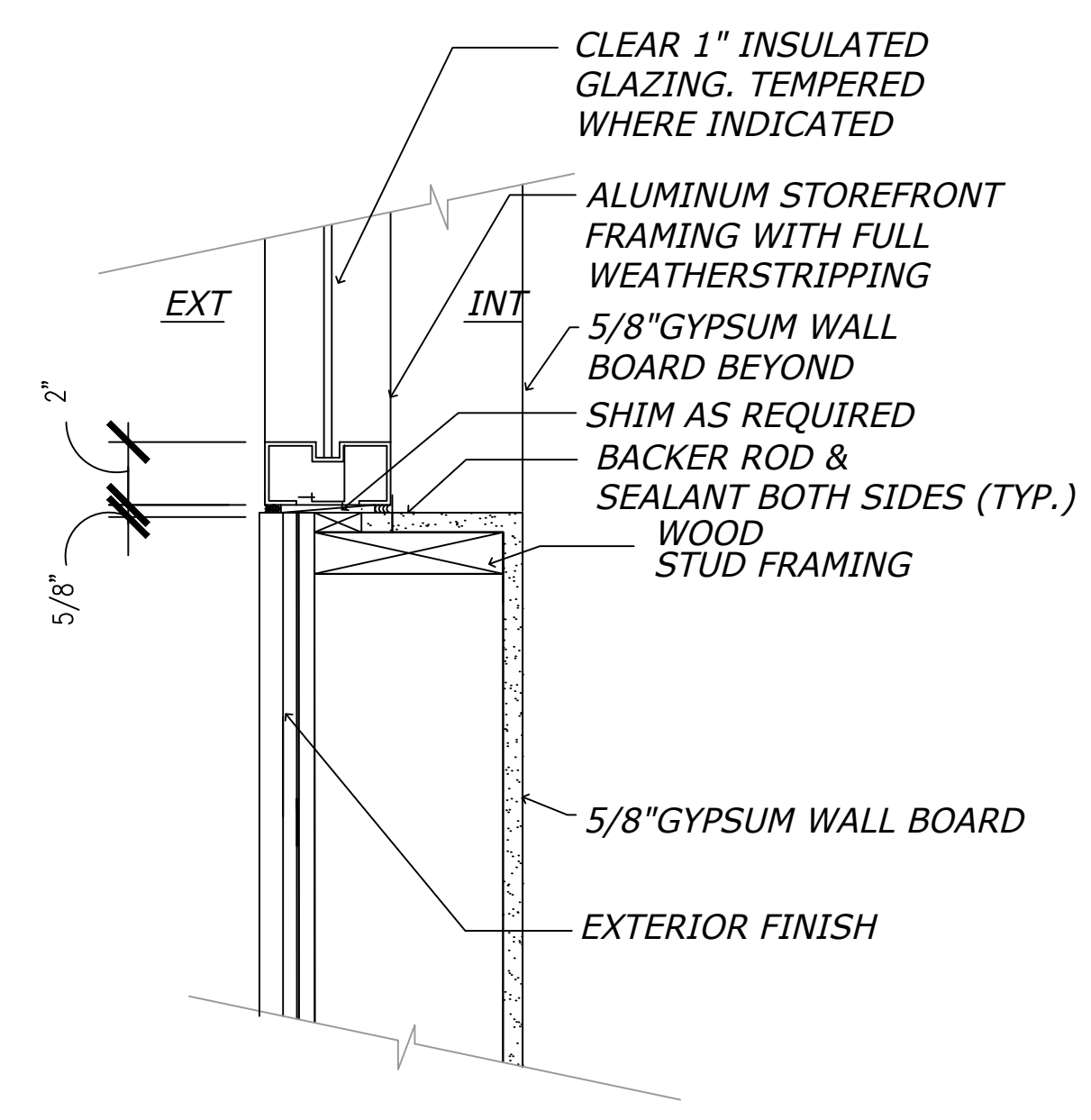
6 SILL DETAIL
A11 AT FRAME WALL
 1 1/2"=1'-0"



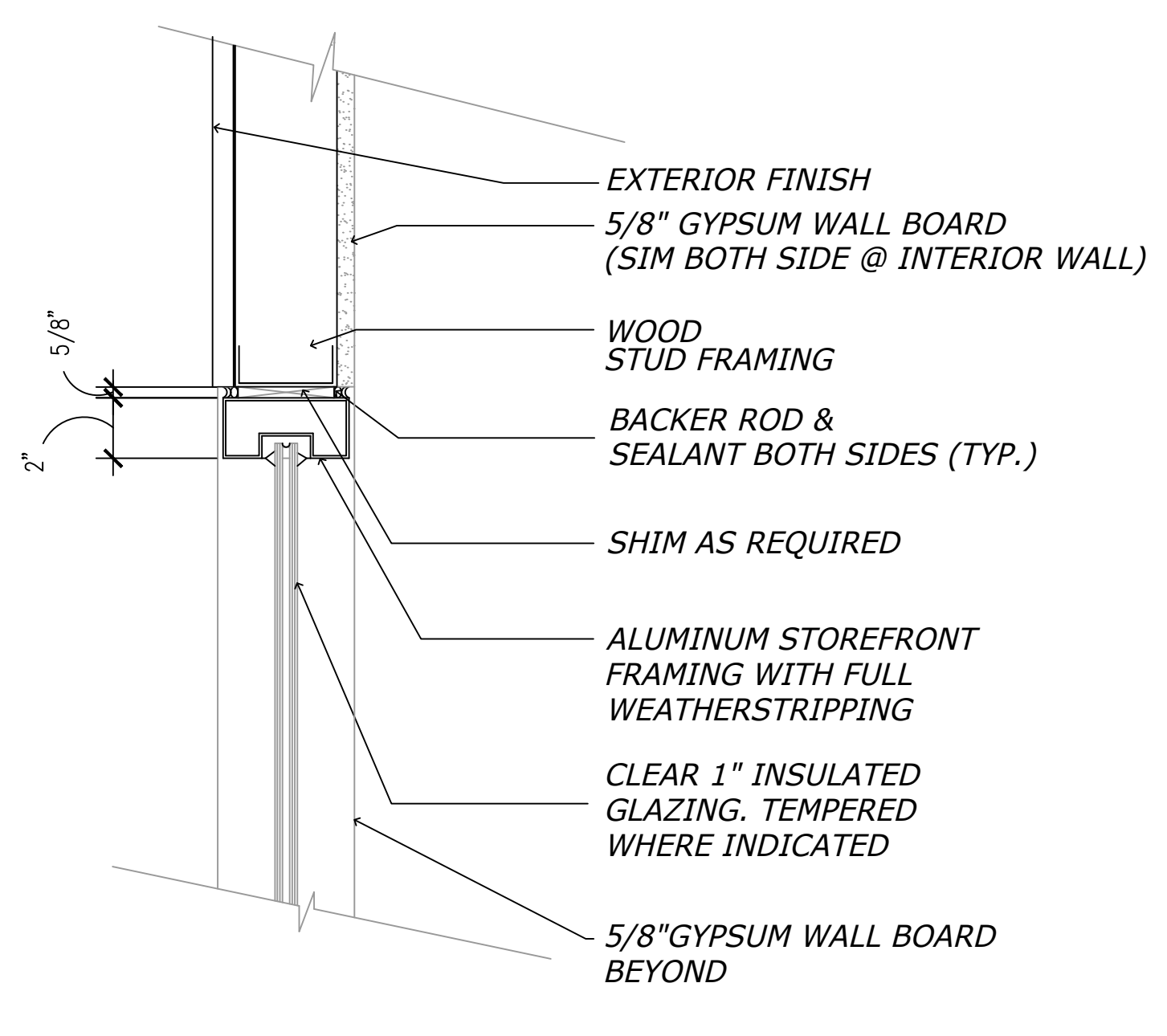
5 HEAD DETAIL
A11 AT FRAME WALL
 1 1/2"=1'-0"



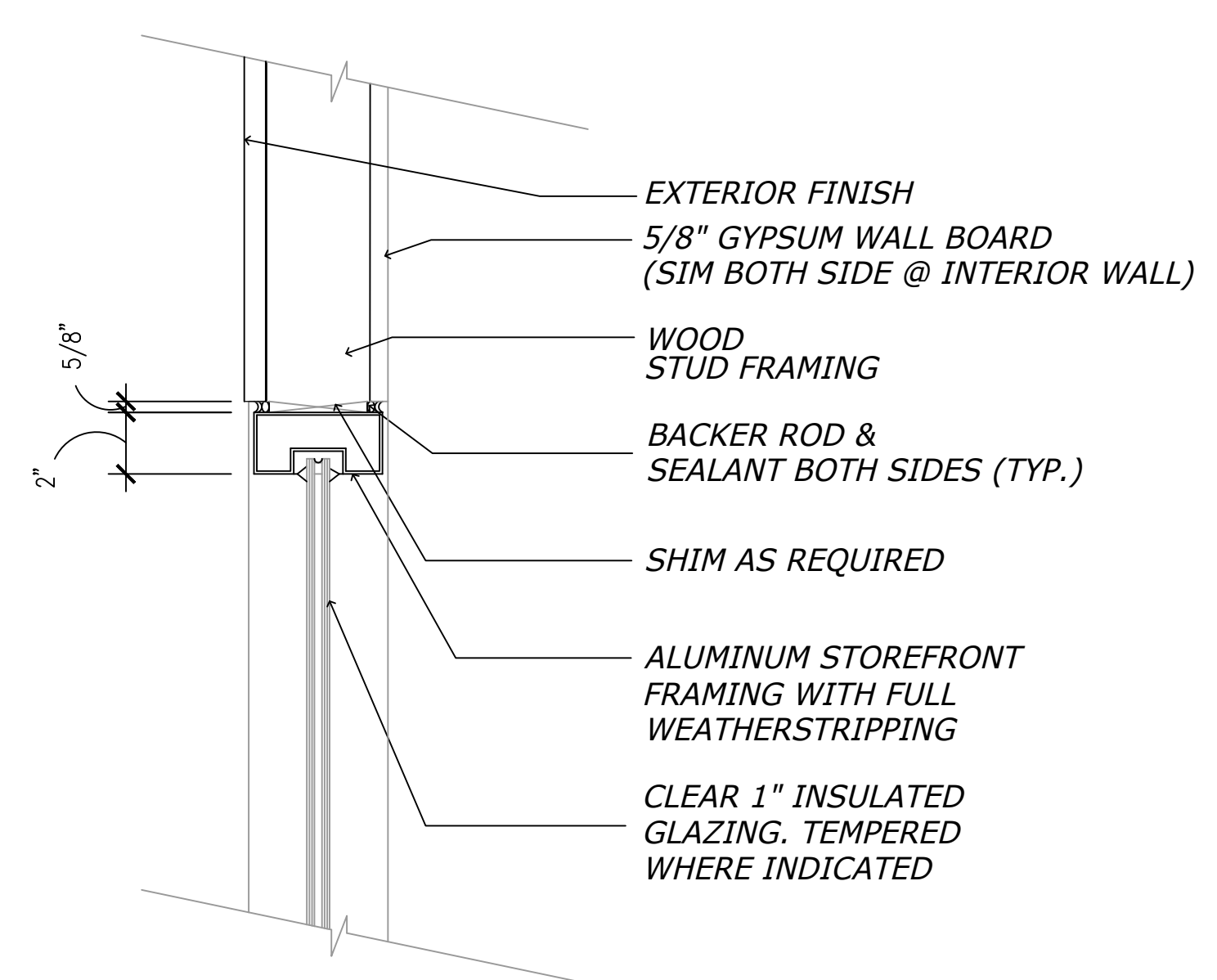
4 JAMB DETAIL
A11 AT FRAME WALL
 1 1/2"=1'-0"



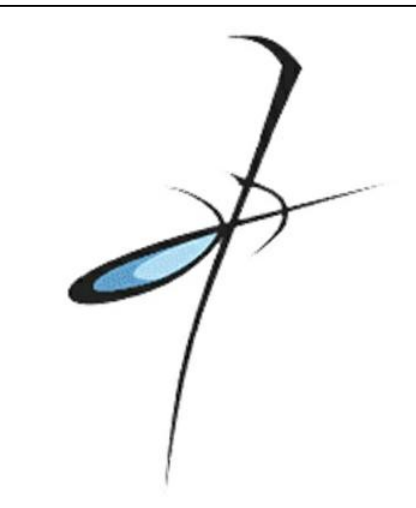
3 WINDOW SILL DETAIL
A11 AT EXTERIOR WALL
 1 1/2"=1'-0"



2 WINDOW HEAD DETAIL
A11 AT EXTERIOR WALL
 1 1/2"=1'-0"



1 WINDOW JAMB DETAIL
A11 AT EXTERIOR WALL
 1 1/2"=1'-0"



AE LEUKEN, LLC
 ARCHITECTURAL ENGINEERS
 1122 N. EL PASO ST
 COLORADO SPRINGS CO, 80903
 PHONE : (719) 398 1155

MILE HIGH ROSE LLC
 180 COUNTY RD 599
 WALSENBURG, CO 81089

NO.	DATE	DESCRIPTION

DATE: 05/15/2017
 CHECKED BY: JJG
 PROJECT NO: 14-2017
 SHEET: DETAILS

A11